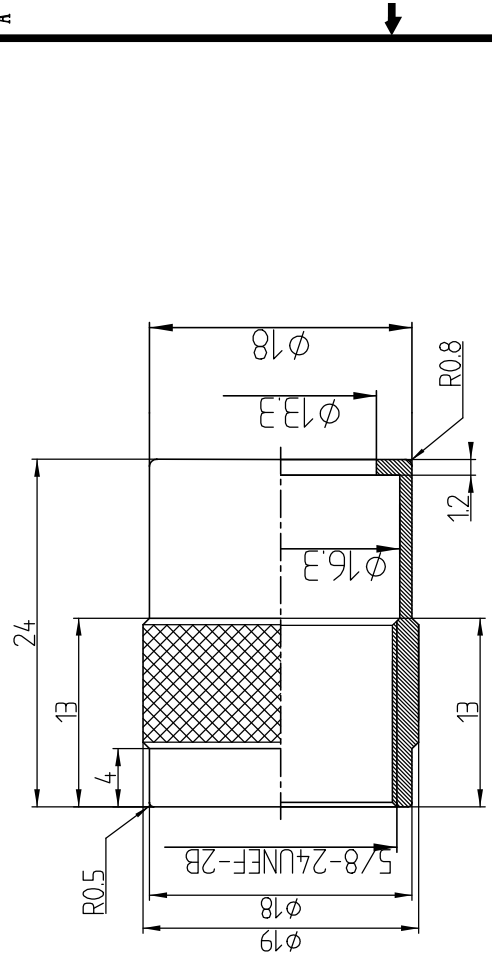
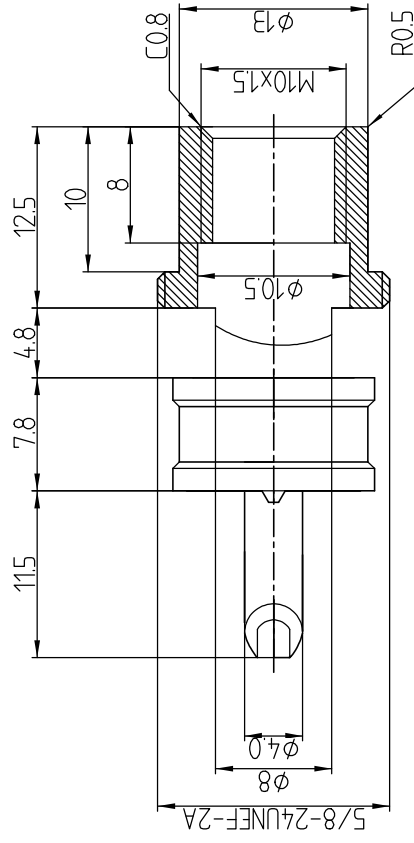


This document contains proprietary information and such information may not be disclosed to others for any purposes, not used for sales/marketing/procurement purposes without written permission

REV	DESCRIPTION OF REVISION	ECN NO.	BY	DATE	APPROVED
A	Initial Release		T. Shihua	17/02/14	17/02/14



- 3 Materials&Finish
- 3.1 Body: Brass, Nickel plated
- 3.2 Insulator: Teflon
- 3.3 Contact Pin: Brass, Gold plated
- 3.4 Shell: Brass, Nickel plated

Notes:

- 1. ALL SPECIFICATIONS ARE SUBJECT TO CHANGE NOTICE AT ANY TIME
- 2. CUSTOMER OUTLINE DRAWING FOR REFERENCE ONLY

DRAWN: T. Shihua 17/02/14 ENGINEER: C. Tao 17/02/14 APPROVED: W. Qiang 17/02/14 TOLERANCES UNLESS OTHERWISE SPECIFIED X ±0.50 .X ±0.20 .XX ±0.10 ANGLES °	TITLE: RF Coaxial Connector UHF Male Twist-on Conn. For SYV-50-7-1 Cable	 www.rf-connector-china.com DIMENSION IN MILLIMETERS (mm)
PART NO: UHF-J7H	SCALE: N/A SHEET: 1/1 REV: A	SIZE: A4