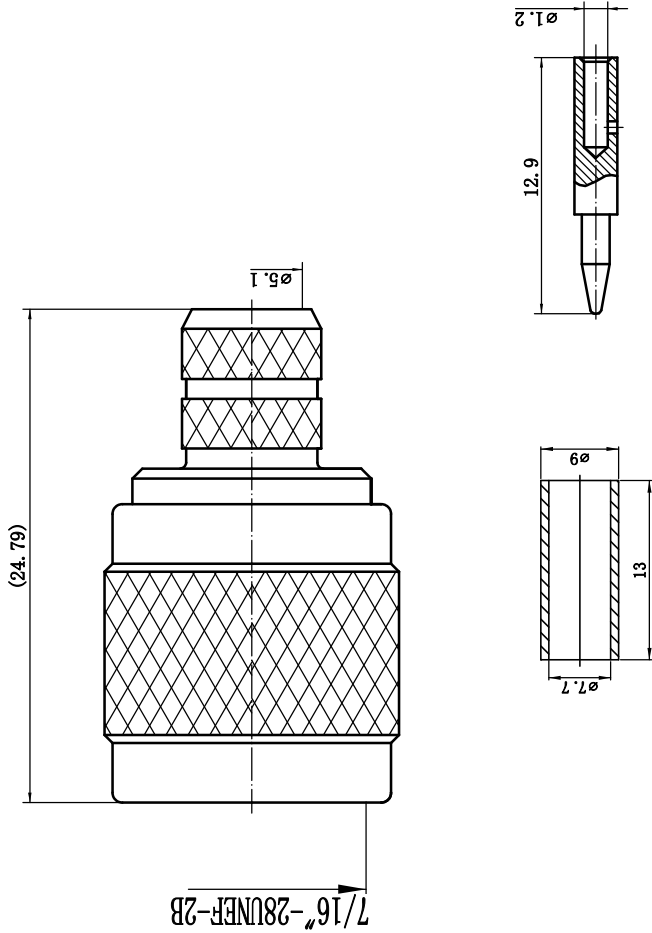


This document contains proprietary information and such information may not be disclosed to others for any purposes, not used for sales/marketing/procurement purposes without written permission

- 1 Electrical
 - 1.1 Impedence 75Ω
 - 1.2 Frequency DC~2GHz
 - 1.3 VSWR 1.20:1
- 2 Environmental&Mechanical
 - 2.1 Temperature range -40℃~+85℃
 - 2.2 RoHs Compliant
 - 2.3 Durability >500 cycles

- 3 Materials&plating
 - 3.1 Body: Brass; Nickel plated
 - 3.2 Insulator: Teflon
 - 3.3 Contact Pin: Brass, Gold plated
 - 3.4 Coupling Nut: Brass, Nickel plated
 - 3.5 Gasket: Silicon Rubber (red color)



Notes:

- 1. ALL SPECIFICATIONS ARE SUBJECT TO CHANGE NOTICE AT ANY TIME
- 2. CUSTOMER OUTLINE DRAWING FOR REFERENCE ONLY

REV	DESCRIPTION OF REVISION	ECN NO.	BY	DATE	APPROVED
A	Initial Release		T. Haiyun	21/05/08	21/05/08

DRAWN: T. Haiyun 21/05/08		TITLE: RF Coaxial Connector	
ENGINEER: C. Tao 21/05/08		www.rf-connector-china.com	
APPROVED: W. Qiang 21/05/08		TNC Male Conn. for SYWV-75-5 Cable	
TOLERANCES UNLESS OTHERWISE SPECIFIED		DIMENSION IN MILLIMETERS (mm)	
X	±0.50	SCALE: N/A	
.X	±0.20	SIZE: A4	
.XX	±0.10	SHEET: 1/1	
ANGLES	±1°	REV: A	
PART NO: TNC-75J5Y		4	