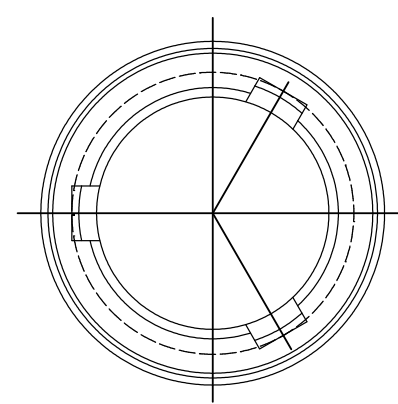
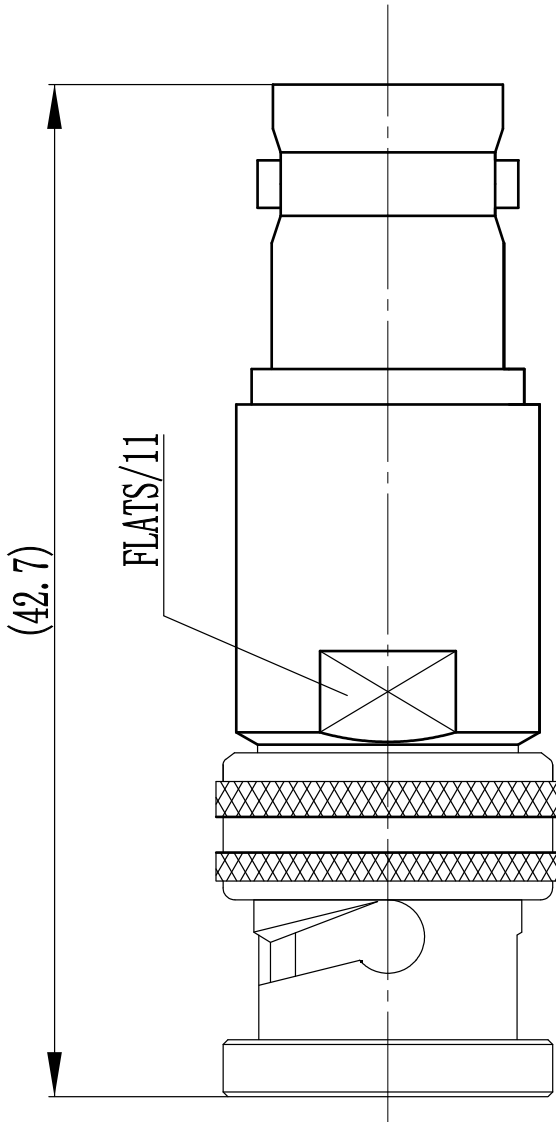


This document contains proprietary information and such information may not be disclosed to others for any purposes, not used for sales/marketing/procurement purposes without written permission

REV	DESCRIPTION OF REVISION	ECN NO.	BY	DATE	APPROVED
A	Initial Release	---	T.Haiyun	26/07/17	26/07/17



3 Materials & plating

- 3.1 Body: Brass; Suco-plated
- 3.2 Insulator: Teflon
- 3.3 Contact Pin: Bronze Gold plated
- 3.4 Outer contact: Brass Gold plated

Notes:

- 1. ALL SPECIFICATIONS ARE SUBJECT TO CHANGE NOTICE AT ANY TIME
- 2. CUSTOMER OUTLINE DRAWING FOR REFERENCE ONLY

DRAWN : T.Haiyun 26/07/17 ENGINEER : C.Tao 26/07/17 APPROVED : W.Qiang 26/07/17 TOLERANCES UNLESS OTHERWISE SPECIFIED X ±0.50 .X ±0.20 .XX ±0.10 ANGLES °	TITLE: RF Adaptor TRB Male to BNC Female Adaptor	 www.qrl-rf.com
PART NO: TRB/BNC-JK	DIMENSION IN MILLIMETERS (mm)	
SIZE: A4 SCALE: N/A SHEET: 1/1 REV: A		