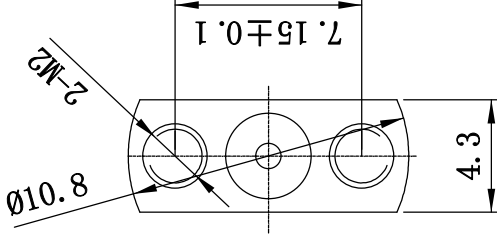
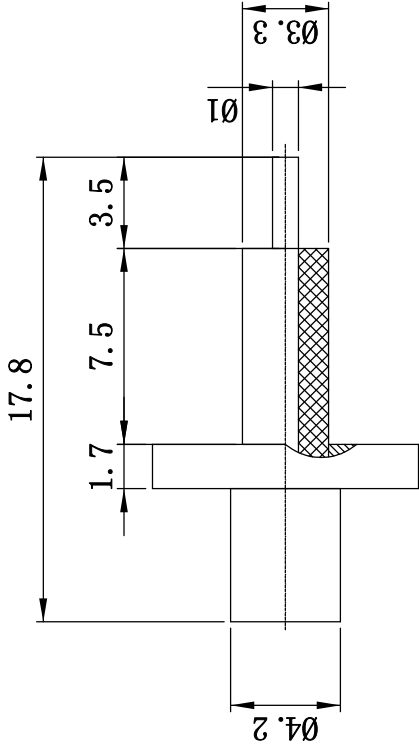


This document contains proprietary information and such information may not be disclosed to others for any purposes, not used for sales/marketing/procurement purposes without written permission

Flange Dimension



1 Electrical

- 1.1 Impedence 50 Ω
- 1.2 Frequency range: DC-18GHz
- 1.3 VSWR 1.25:1

2 Environmental & Mechanical

- 2.1 Temperature range -40°C ~ 125°C
- 2.2 RoHS Compliant

3 Materials & Plating

- 3.1 Body: Brass, gold plated
- 3.2 Insulator: Teflon
- 3.3 Contact Pin: Brass, Gold plated

Notes:

- 1. ALL SPECIFICATIONS ARE SUBJECT TO CHANGE NOTICE AT ANY TIME
- 2. CUSTOMER OUTLINE DRAWING FOR REFERENCE ONLY

REV	DESCRIPTION OF REVISION	ECN NO.	BY	DATE	APPROVED
A	Initial Release		T. Shihua	12/7/08	12/7/08

DRAWN: T. Shihua 12/07/08
ENGINEER: C. Tao 12/07/08
APPROVED: W. Qiang 12/07/08
TOLERANCES UNLESS OTHERWISE SPECIFIED X ±0.50 .X ±0.20 .XX ±0.10 ANGLES °R

TITLE: RF Coaxial Connector	
SMP male Conn. For Terminal	
PART NO: SMP-JFD2A	

www.terulai.com	
DIMENSION IN MILLIMETERS (mm)	
SIZE: A4	SCALE: 1:1
SHEET: 1/1	REV: A