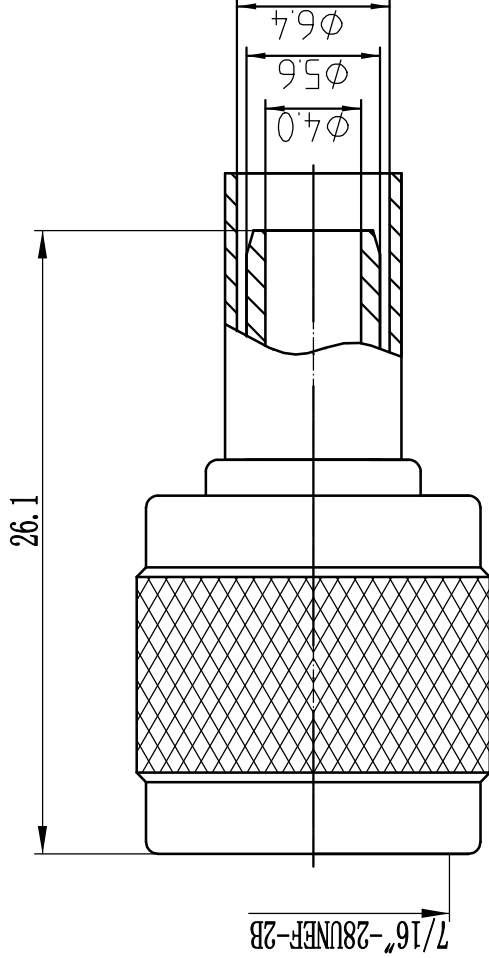


This document contains proprietary information and such information may not be disclosed to others for any purposes, not used for sales/marketing/procurement purposes without written permission

- 1 Electrical
 - 1.1 Impedance 50 Ω
 - 1.2 Frequency DC ~6GHz
 - 1.3 Dielectric withstanding voltage 1500V (volts RMS)
 - 1.4 Center contact resistance ≤ 15MΩ
 - 1.5 Outer contact resistance ≤ 0.2MΩ
 - 1.6 Insulation resistance: ≥5000MΩ

- 2 Environmental & Mechanical
 - 2.1 Temperature range -40 °c ~ +125 °c
 - 2.2 RoHS Compliant
 - 2.3 Durability >500 cycles

- 3 Materials & Plating
 - 3.1 Body: Brass; Nickel plated
 - 3.2 Insulator: Teflon
 - 3.3 Contact Pin: Brass, Gold plated
 - 3.4 Nut: Brass, Nickel plated
 - 3.5 Gasket: Silicon Rubber (red color)
 - 3.6 Washer: Brass, Nickel plated



Notes:

1. ALL SPECIFICATIONS ARE SUBJECT TO CHANGE NOTICE AT ANY TIME
2. CUSTOMER OUTLINE DRAWING FOR REFERENCE ONLY

REV	DESCRIPTION OF REVISION	ECN NO.	BY	DATE	APPROVED
A	Initial Release		T. Haiyun	21/05/08	21/05/08

DRAWN: T. Haiyun 21/05/08		TITLE: RF Coaxial Connector	
ENGINEER: C. Tao 21/05/08		www.teruilai.com	
APPROVED: W. Qiang 21/05/08		TNC Male Conn. for LMR240 Cable Crimp	
TOLERANCES UNLESS OTHERWISE SPECIFIED		DIMENSION IN MILLIMETERS (mm)	
X	+0.50	SCALE: N/A	SHEET: 1/1
X	+0.20	SIZE: A4	REV: A
XX	+0.10		
	ANGLES *°		
PART NO: TNC-J240Y		PART NO: TNC-J240Y	