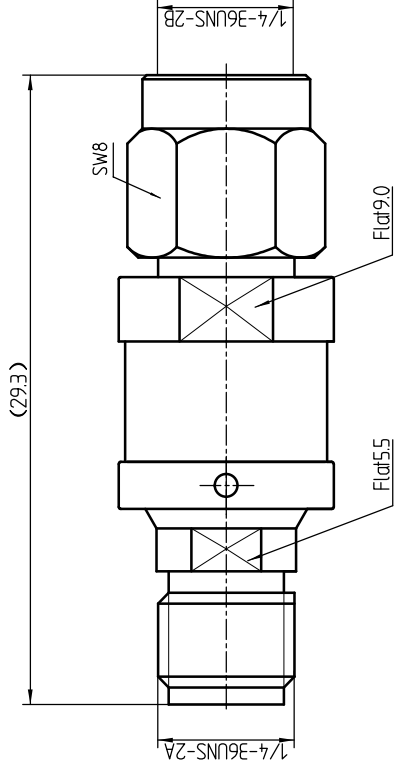


This document contains proprietary information and such information may not be disclosed to others for any purposes, not used for sales/marketing/procurement purposes without written permission

- 1 Electrical
  - 1.1 Impedance 50  $\Omega$
  - 1.2 Frequency DC ~ 18GHz
  - 1.3 VSWR 1.35:1 Max
  - 1.4 Attenuation Value 1~30dB
  - 1.5 Power Input: 2Watt
- 2 Attenuation Accuracy
  - 2.1 1~10dB  $\pm 0.5\text{dB}@18\text{GHz}$
  - 2.2 15~30dB  $\pm 1.0\text{dB}@18\text{GHz}$

- 3 Materials & Plating
  - 3.1 Body: Brass, gold plated
  - 3.2 Contact Pin: Beryllium copper/Brass, gold plated
  - 3.3 Insulator: Teflon

- 4 Environmental & Mechanical
  - 4.1 Temperature range  $-45^{\circ}\text{C} \sim +125^{\circ}\text{C}$
  - 4.2 RoHS Compliant
  - 4.3 Durability: 500 max





REV	DESCRIPTION OF REVISION	ECN NO.	BY	DATE	APPROVED
A	Initial Release		T. Haiyun	23/5/12	23/5/12

**Notes:**

- 1. ALL SPECIFICATIONS ARE SUBJECT TO CHANGE NOTICE AT ANY TIME
- 2. CUSTOMER OUTLINE DRAWING FOR REFERENCE ONLY

<b>DRAWN:</b> T. Haiyun 23/5/12
<b>ENGINEER:</b> C. Tao 23/5/12
<b>APPROVED:</b> W. Qiang 23/5/12
TOLERANCES UNLESS OTHERWISE SPECIFIED
X $\pm 0.50$
.X $\pm 0.20$
XX $\pm 0.10$
ANGLES $^{\circ}$

<b>TITLE:</b>		<b>RF Attenuator</b>				www.terulilai.com	
		<b>SMA Male to Female Attenuator</b>				DIMENSION IN MILLIMETERS (mm)	
<b>Power 2W</b>				SIZE: A4		SCALE: N/A	
<b>PART NO:</b> TRL-SMAMP-2-18-X-A				SHEET: 1/1		REV: A	