

This document contains proprietary information and such information may not be disclosed to others for any purposes, not used for sales/marketing/procurement purposes without written permission

REV	DESCRIPTION OF REVISION	EGN NO.	BY	DATE	APPROVED
A	Initial Release		T.Hdyun	09/06/16	09/06/16

1 Electrical

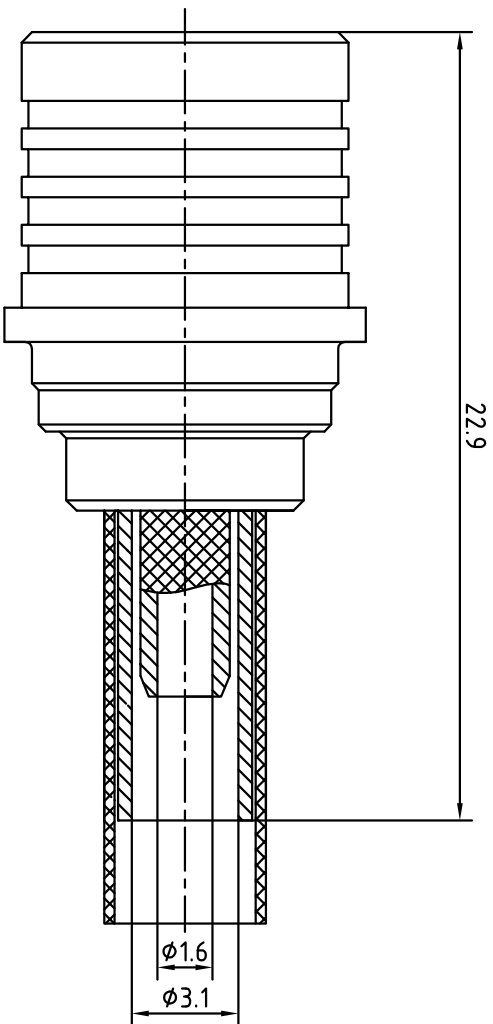
- 1.1 Impedance: 50 Ω
- 1.2 Frequency: DC~6GHz
- 1.3 Dielectric withstanding voltage: 1000V(volts RMS)
- 1.4 Center contact resistance: $\leq 3M\Omega$
- 1.5 Outer contact resistance: $\leq 2M\Omega$
- 1.6 Insulation resistance: $\geq 5000M\Omega$

2 Environmental&Mechanical

- 2.1 Temperature range: -40 $^{\circ}C$ ~+70 $^{\circ}C$
- 2.2 RoHs Compliant
- 2.3 Durability: >500 cycles

3 Materials&plating

- 3.1 Body: Brass; Nickel plated
- 3.2 Insulator: Teflon
- 3.3 Contact Pin: Brass, Gold plated
- 3.4 Ferrule: Copper, Nickel plated




Notes:

- 1. ALL SPECIFICATIONS ARE SUBJECT TO CHANGE NOTICE AT ANY TIME
- 2. CUSTOMER OUTLINE DRAWING FOR REFERENCE ONLY

DRAWN: T.Hdyun 09/06/16
ENGINEER: C.Tao 09/06/16
APPROVED: W.Qiang 09/06/16
TOLERANCES UNLESS OTHERWISE SPECIFIED
X 0.20
.XX 0.10
ANGLES 3 $^{\circ}$

TITLE: QMA-13Y
QMA Male Str. Conn. for RG174/RG316/LMR100 Cable
PART NO: TRL-QMA-490827

SIZE: A4	SCALE: N/A	SHEET: 1/1	REV: A
 www.territai.com			
DIMENSION IN MILLIMETERS (mm)			