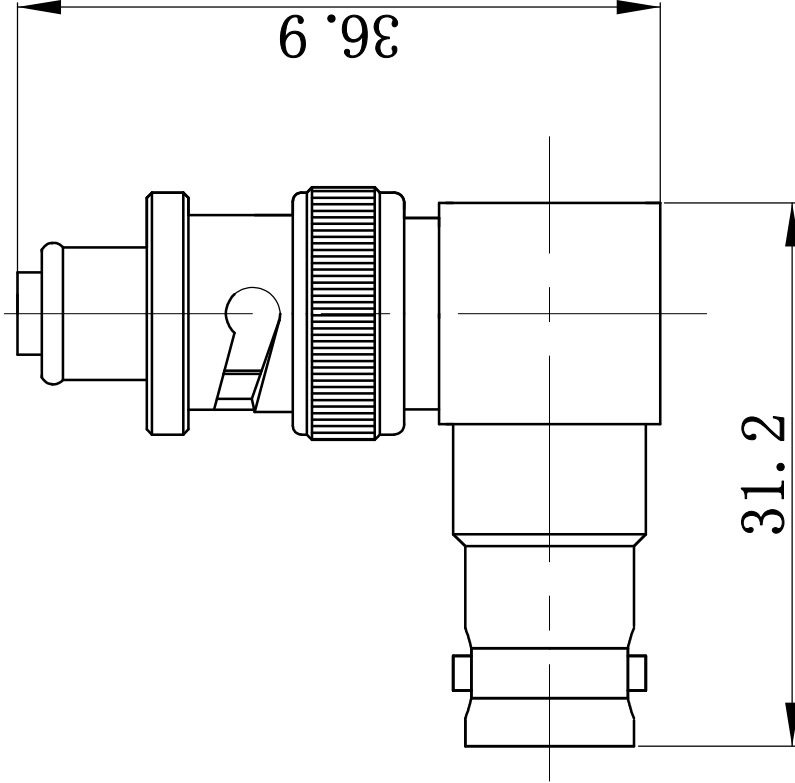


This document contains proprietary information and such information may not be disclosed to others for any purposes, not used for sales/marketing/procurement purposes without written permission



- 1 Electrical
- 1.1 Impedance: 50 Ω
  - 1.2 Frequency: 0-0.3GHz
  - 1.3 Dielectric withstanding voltage: 5.0 kV rms,



- 2 Environmental
- 2.1 Temperature -45° C to 85° C
  - 2.2 RoHs compliant

- 3 Material&Finish
- 3.1 Inner Contact: brass, gold plated
  - 3.2 Outer Contact: brass, nickel plated
  - 3.3 Insulators: PTFE

Notes:

- 1. ALL SPECIFICATIONS ARE SUBJECT TO CHANGE NOTICE AT ANY TIME
- 2. CUSTOMER OUTLINE DRAWING FOR REFERENCE ONLY

REV	DESCRIPTION OF REVISION	ECN NO.	BY	DATE	APPROVED
A	Initial Release		T. Shihua	17/12/14	17/12/14

DRAWN: T. Shihua 17/12/14 ENGINEER: C. Tao 17/12/14 APPROVED: W. Qiang 17/12/14 TOLERANCES UNLESS OTHERWISE SPECIFIED X ±0.50 .X ±0.20 .XX ±0.10 ANGLES ±1°	TITLE: RF Adaptor SHV Female to Male R/A	 www.rf-connector-china.com
DIMENSION IN MILLIMETERS (mm)		
PART NO: SHV-JWK	SCALE: N/A	SHEET: 1/1
SIZE: A4	REV: A	REV: A