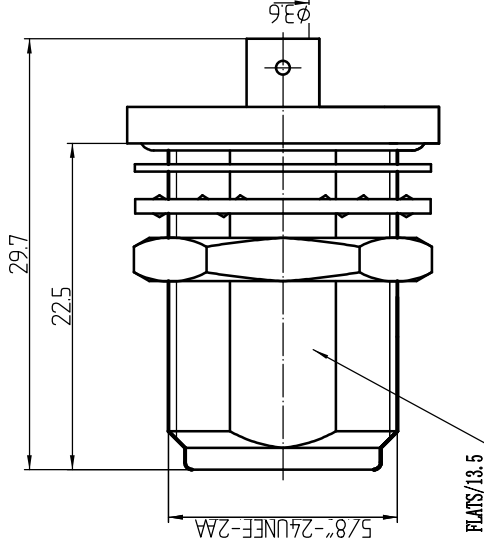


This document contains proprietary information and such information may not be disclosed to others for any purposes, not used for sales/marketing/procurement purposes without written permission

- 1 Electrical
 - 1.1 Impedence 50 Ω
 - 1.2 Frequency 0~6GHz
 - 1.2 Dielectric withstanding voltage 1500V(volts RMS)
 - 1.3 Working Voltage: 1000V rms
 - 1.5 Insulation resistance: $\geq 5000M\Omega$
 - VSWR 1.25:1
- 2 Environmental&Mechanical
 - 2.1 Temperature range -40 $^{\circ}$ ~125 $^{\circ}$ c
 - 2.2 RoHS Compliant
 - 2.3 Durability >500 cycles
- 3 Materials&plating
 - 3.1 Body: Brass, Nickel plated
 - 3.2 Insulator: Teflon
 - 3.3 Contact Pin: Phosphor bronze, Gold plated
 - 3.4 Nut: Brass, Nickel plated
 - 3.5 Washer: Brass, Nickel plated



Notes:

1. ALL SPECIFICATIONS ARE SUBJECT TO CHANGE NOTICE AT ANY TIME
2. CUSTOMER OUTLINE DRAWING FOR REFERENCE ONLY

DRAWN: T. Haiyum 19/12/15
ENGINEER: C. Tao 19/12/15
APPROVED: W. Qieng 19/12/15
TOLERANCES UNLESS OTHERWISE SPECIFIED
X +0.50
.X +0.20
.XX +0.10
ANGLES \neq °

TITLE:
 RF Coaxial Connector
 N female B/H Conn.
 For .141/RG402 cable



www.fenulal.com



DIMENSION IN MILLIMETERS (mm)

PART NO: N-KTB3TD	SCALE: N/A	SHEET: 1/1	REV: A
SIZE: A4			

REV	DESCRIPTION OF REVISION	ECN NO.	BY	DATE	APPROVED
A	Initial Release		T. haiyum	19/12/15	19/12/15