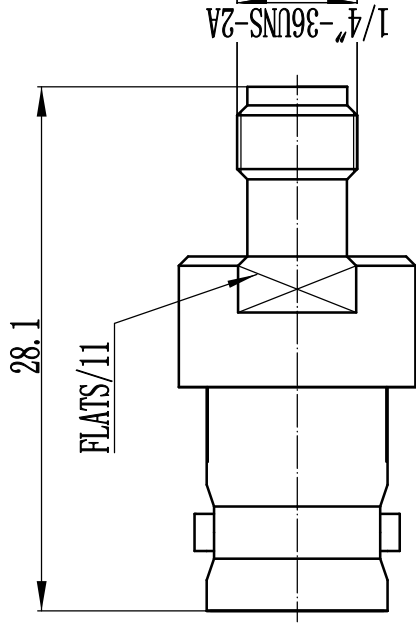


This document contains proprietary information and such information may not be disclosed to others for any purposes, not used for sales/marketing/procurement purposes without written permission

- 1 Electrical Data:
 1.1 Impedance: 50Ω
 1.2 Frequency: DC~4GHz
 1.3 VSWR: 1.25:1

- 2 Material&Finish
 2.1 Inner Contact: Bronze, gold plated
 2.2 Outer Contact: Brass. Suco-plated
 2.3 Insulators: Teflon





| REV | DESCRIPTION OF REVISION | ECN NO. | BY | DATE | APPROVED |
|-----|-------------------------|---------|-----------|----------|----------|
| A | Initial Release | | T. Shihua | 09/07/15 | 09/07/15 |

Notes:

- ALL SPECIFICATIONS ARE SUBJECT TO CHANGE NOTICE AT ANY TIME
- CUSTOMER OUTLINE DRAWING FOR REFERENCE ONLY

| |
|---------------------------------------|
| DRAWN: T. Shihua 09/07/15 |
| ENGINEER: C. Tao 09/07/15 |
| APPROVED: W. Qiang 09/07/15 |
| TOLERANCES UNLESS OTHERWISE SPECIFIED |
| X ±0.50 |
| .X ±0.20 |
| .XX ±0.10 |
| ANGLES ° |

| | |
|-----------------|----------------------------------|
| TITLE: | RF Adaptor |
| | BNC Female to SMA Female Adaptor |
| PART NO: | BNC/SMA-KK-F |

| | | | |
|---|-------------------------------|--|-----|
|  | | www.rf-connector-china.com | |
|  | DIMENSION IN MILLIMETERS (mm) | SCALE: | N/A |
| SIZE: | A4 | SHEET: | 1/1 |
| REV: | A | | |