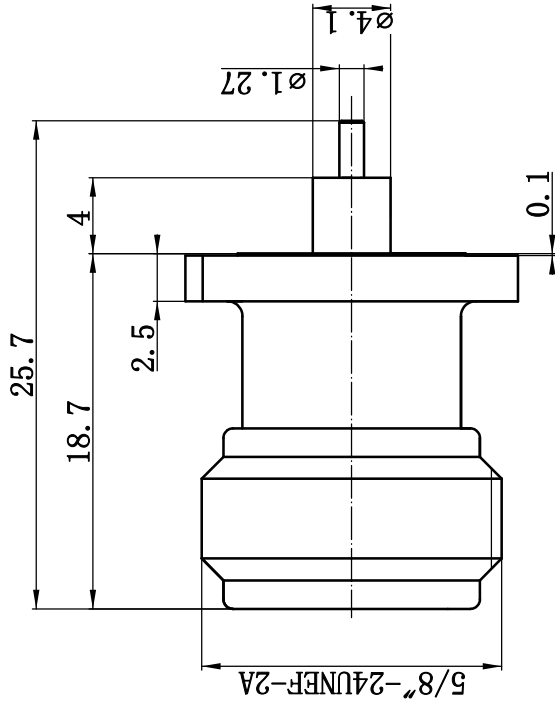


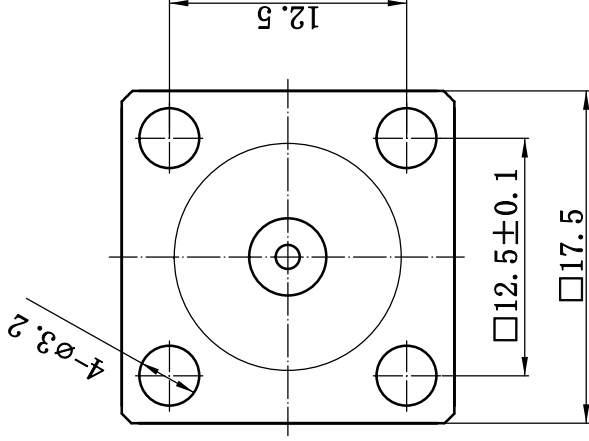
This document contains proprietary information and such information may not be disclosed to others for any purposes, not used for sales/marketing/procurement purposes without written permission



- 1 Electrical
 - 1.1 Impedance 50 Ω
 - 1.2 Frequency DC-6GHz
 - 1.3 VSWR 1.20:1
- 2 Environmental&Mechanical
 - 2.1 Temperature range -55°C~125°C
 - 2.2 RoHS Compliant
 - 2.3 Durability >500 cycles
- 3 Material&Finish
 - 3.1 Body: Brass, Nickel-plated
 - 3.2 Insulator: Teflon
 - 3.3 Contact Pin: Bronze, gold plated

Notes:

- 1. ALL SPECIFICATIONS ARE SUBJECT TO CHANGE NOTICE AT ANY TIME
- 2. CUSTOMER OUTLINE DRAWING FOR REFERENCE ONLY



REV	DESCRIPTION OF REVISION	ECN NO.	BY	DATE	APPROVED
A	Initial Release		T. Shihua	28/04/15	28/04/15

DRAWN: T. Shihua 28/04/15		TITLE: RF Coaxial Connector	
ENGINEER: C. Tao 28/04/15		www.rf-conconnector-china.com	
APPROVED: W. Qiang 28/04/15		N Female Straight Flange Connector	
TOLERANCES UNLESS OTHERWISE SPECIFIED		DIMENSION IN MILLIMETERS (mm)	
X	±0.50	[Symbol]	
.X	±0.20	[Symbol]	
.XX	±0.10	[Symbol]	
ANGLES	±1°	[Symbol]	
PART NO: N-KFD1009	SCALE: N/A	SHEET: 1/1	REV: A