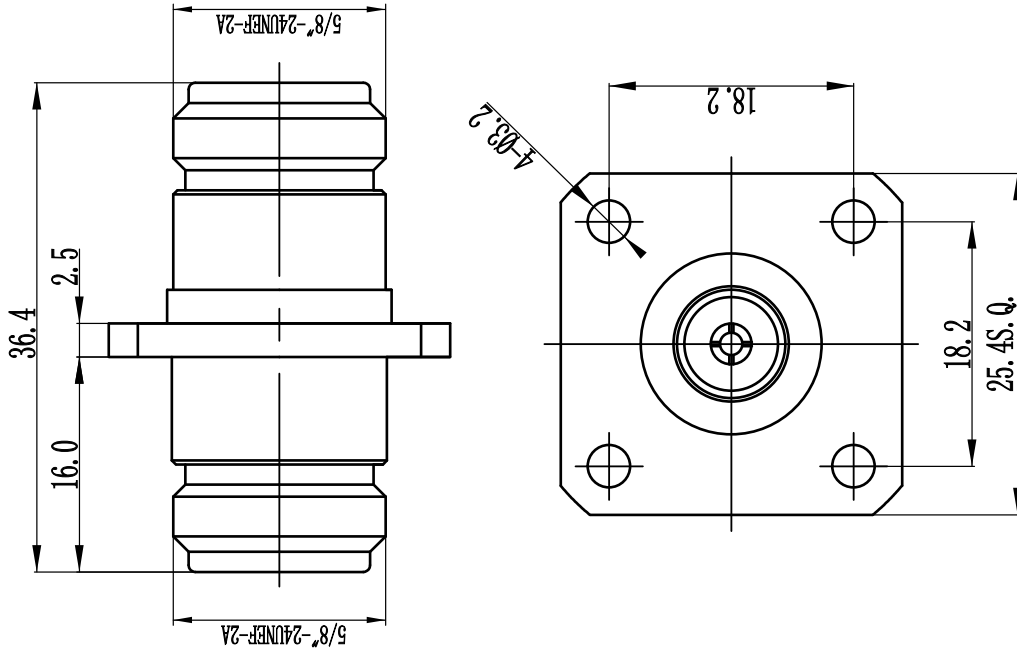


This document contains proprietary information and such information may not be disclosed to others for any purposes, not used for sales/marketing/procurement purposes without written permission



- 1 Electrical
 - 1.1 Impedance: 50 Ω
 - 1.2 Frequency: DC-18GHz
 - 1.3 VSWR: 1.2:1
- 2 Mechanical&Environmental
 - 2.1 Temperature range -45°C ~+125°C
 - 2.2 Durability(matings) >500
 - 2.3 RoHs Compliant Yes

- 3 Material&Finish
 - 3.1 Pin contact: Beryllium-Copper, gold plated
 - 3.2 Body: Stainless Steel(SU303), Passivated
 - 3.3 Insulators: PEI

- 4 Interface Standards
 - 4.1 N MIL-STD-348A

REV	DESCRIPTION OF REVISION	ECN NO.	BY	DATE	APPROVED
A	Initial Release		T. Shihua	1/8/14	1/8/14

DRAWN : T. Shihua 1/8/14		TITLE: Precision Adapter	
ENGINEER: C. Tao 1/8/14		www.bendall.com	
APPROVED : W. Qiang 1/8/14		DIMENSION IN MILLIMETERS (mm)	
TOLERANCES UNLESS OTHERWISE SPECIFIED			
X	+0.50	SIZE: A4	
.X	+0.20	SCALE: N/A	
.XX	+0.10	SHEET: 1/1	
ANGLES	*°	REV: A	
PART NO: N-MFKG			

- Notes:
1. ALL SPECIFICATIONS ARE SUBJECT TO CHANGE NOTICE AT ANY TIME
 2. CUSTOMER OUTLINE DRAWING FOR REFERENCE ONLY