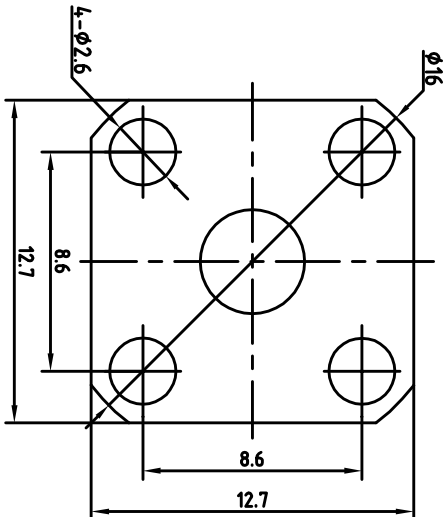
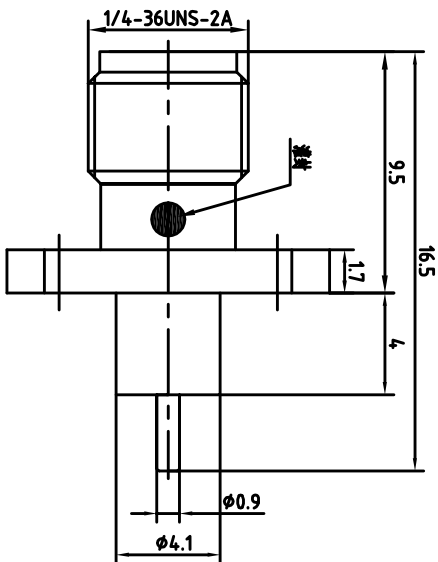


This document contains proprietary information and such information may not be disclosed to others for any purposes, not used for sales/marketing/procurement purposes without written permission

REV	DESCRIPTION OF REVISION	ECN NO.	BY	DATE	APPROVED
A	Initial Release		T.HoJyun	12/7/08	12/7/08




- 1 Electrical**
- 1.1 Impedance: 50Ω
 - 1.2 Frequency: DC~18GHz
 - 1.3 Dielectric withstanding voltage: 1000V (volts RMS)
 - 1.4 Center contact resistance: ≤ 3MΩ
 - 1.5 Outer contact resistance: ≤ 2MΩ
 - 1.6 Insulation resistance: ≥ 5000MΩ

- 2 Environmental&Mechanical**
- 2.1 Temperature range: -55℃~155℃
 - 2.2 RoHs Compliant
 - 2.3 Durability: >500 cycles

- 3 Materials&plating**
- 3.1 Body: Brass, Gold plated
 - 3.2 Insulator: Teflon
 - 3.3 Contact Pin: Beryllium Copper Gold plated

Notes:
 1. ALL SPECIFICATIONS ARE SUBJECT TO CHANGE NOTICE AT ANY TIME
 2. CUSTOMER OUTLINE DRAWING FOR REFERENCE ONLY

DRAWN: T.HoJyun 12/07/08	TITLE:	SMA-KITD5B SMA Female Flange Conn. Terminal	 www.trelytech.com
ENGINEER: C.Too 12/07/08	APPROVED: W.Qiang 12/07/08		
TOLERANCES UNLESS OTHERWISE SPECIFIED X ±0.30 XX ±0.20 ANGLEs ±1°		SIZE: A4	SCALE: 1:1
		SHEET: 1/1	REV: A