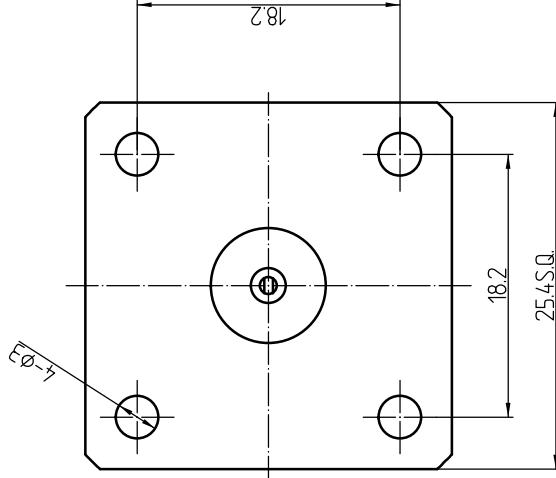
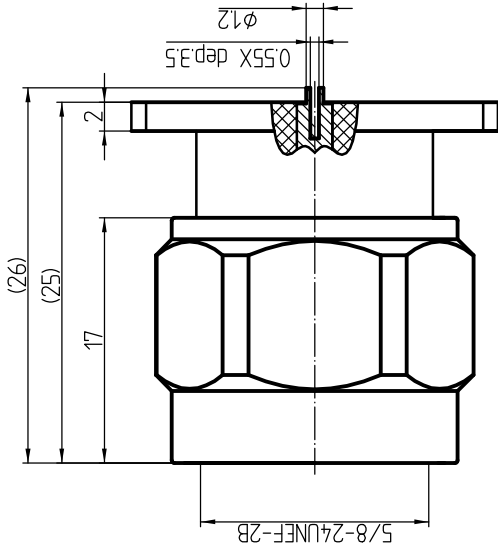


This document contains proprietary information and such information may not be disclosed to others for any purposes, not used for sales/marketing/procurement purposes without written permission



### 1 Electrical data

- 1.1 Impedance:  $50\ \Omega$
- 1.2 Frequency: DC-6GHz
- 1.3 VSWR 1.25:1

### 2 Mechanical data

- 2.1 Temperature range  $-45^{\circ}\text{C} \sim +125^{\circ}\text{C}$
- 2.2 Durability(matings) >500

### 3 Material&Finish

- 3.1 Contact: Brass, gold plated
- 3.2 Body: Brass, Suco-plated
- 3.3 Insulators: PTFE
- 3.4 Coupling Nut: Suco-plated

#### Notes:

- 1. ALL SPECIFICATIONS ARE SUBJECT TO CHANGE NOTICE AT ANY TIME
- 2. CUSTOMER OUTLINE DRAWING FOR REFERENCE ONLY

REV	DESCRIPTION OF REVISION	ECN NO.	BY	DATE	APPROVED
A	Initial Release		T. Shihua	18/02/14	18/02/14

DRAWN: T. Shihua 18/02/14 ENGINEER: C. Tao 18/02/14 APPROVED: W. Qiang 18/02/14 TOLERANCES UNLESS OTHERWISE SPECIFIED X ±0.50 XX ±0.20 ANGLES ±°	TITLE: RF Coaxial Connector N Male Connector Flange Mount Terminal		www.rf-connector-china.com
PART NO: N-JFD105	SCALE: N/A	SHEET: 1/1	REV: A

