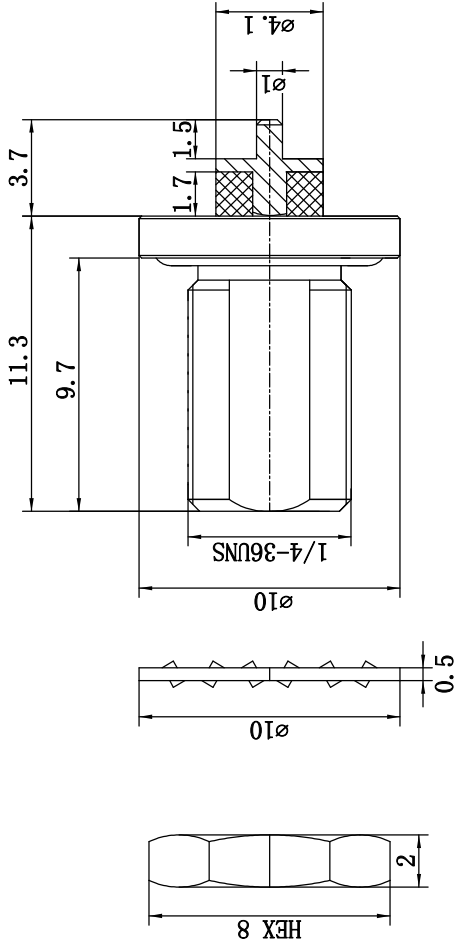


This document contains proprietary information and such information may not be disclosed to others for any purposes, not used for sales/marketing/procurement purposes without written permission



1. Electrical
- 1.1 Impedance 50 Ω
  - 1.2 Frequency DC~6GHz
  - 1.3 VSWR 1.1+0.02F
2. Environmental & Mechanical
- 2.1 Temperature range -55°C ~ 125°C
  - 2.2 RoHS Compliant
  - 2.3 Durability >500 cycles
3. Materials & plating
- 3.1 Body: Brass; nickel plated
  - 3.2 Insulator: Teflon
  - 3.3 Contact Pin: Beryllium Copper; Gold plated
  - 3.4 Nut: Brass; nickel plated
  - 3.5 Washer: Bronze; nickel plated

REV	DESCRIPTION OF REVISION	ECN NO.	BY	DATE	APPROVED
A	Initial Release		T. Haiyum	24/7/13	24/7/13

Notes:

- 1. ALL SPECIFICATIONS ARE SUBJECT TO CHANGE NOTICE AT ANY TIME
- 2. CUSTOMER OUTLINE DRAWING FOR REFERENCE ONLY

DRAWN: T. Haiyum 24/07/13

ENGINEER: C. Tao 24/07/13

APPROVED: W. Qiang 24/07/13

TOLERANCES UNLESS OTHERWISE SPECIFIED

X	±0.50
.X	±0.20
.XX	±0.10
ANGLES	±1°

TITLE:

RF Coaxial Connector

SMA Female B/H Conn. Terminal

PART NO: SMA-KYD6



www.rf-connector-china.com



DIMENSION IN MILLIMETERS (mm)

SIZE: A4

SCALE: N/A

SHEET: 1/1

REV: A