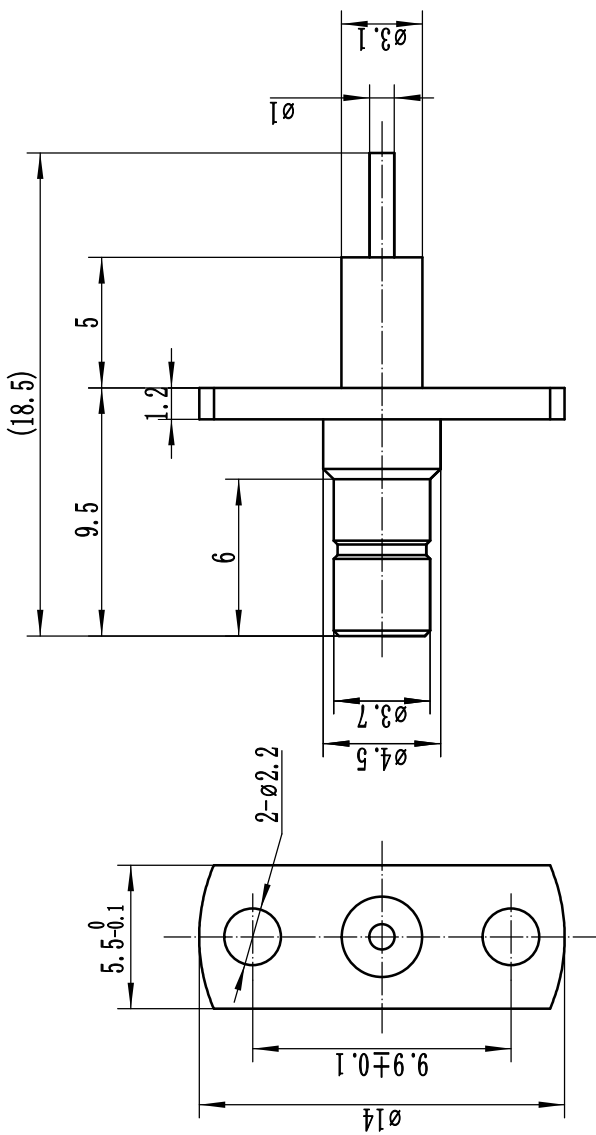


This document contains proprietary information and such information may not be disclosed to others for any purposes, not used for sales/marketing/procurement purposes without written permission

- 1 Electrical
  - 1.1 Impedance: 50 Ω
  - 1.2 Frequency: 0~4GHz
  - 1.3 Working voltage: ≤250V
  - 1.4 Insulation resistance: ≥1000MΩ
  - 1.5 Dielectric strength: 750V
  - 1.6 Center Contact resistance: ≤ 6mΩ
  - 1.7 Outer contact resistance: ≤ 1mΩ
- 2 Environmental&Mechanical
  - 2.1 Temperature range: -45℃~125℃
  - 2.2 RoHS Compliant
  - 2.3 Durability: 500 cycles
- 3 Material&plating
  - 3.1 Inner Contact: Brass, gold plated
  - 3.1 Outer Contact: Stainless Steel, Passivated
  - 3.3 Insulators: Teflon



Notes:

- 1. ALL SPECIFICATIONS ARE SUBJECT TO CHANGE NOTICE AT ANY TIME
- 2. CUSTOMER OUTLINE DRAWING FOR REFERENCE ONLY

REV	DESCRIPTION OF REVISION	ECN NO.	BY	DATE	APPROVED
A	Initial Release		T. Shihua	2/12/14	2/12/14

DRAWN: T. Shihua 2/12/14		TITLE: RF Coaxial Connector	
ENGINEER: C. Tao 2/12/14		www.rf-connector-china.com	
APPROVED: W. Qiang 2/12/14		SMB male conn. Flange Mounting	
TOLERANCES UNLESS OTHERWISE SPECIFIED			
X	±0.50	SIZE:	A4
.X	±0.20	SCALE:	N/A
.XX	±0.10	SHEET:	1/1
ANGLES	±1°	REV:	A