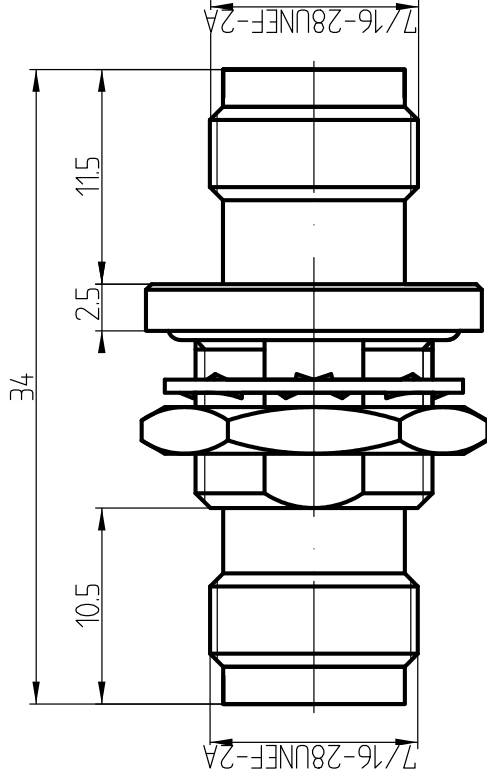


This document contains proprietary information and such information may not be disclosed to others for any purposes, not used for sales/marketing/procurement purposes without written permission

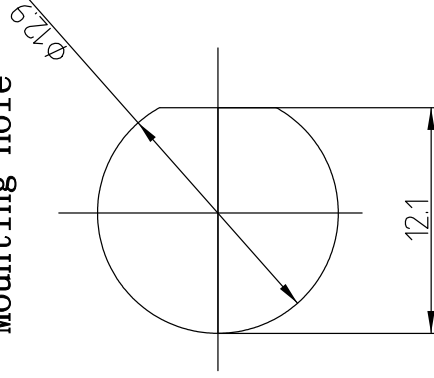
- 1 Electrical
  - 1.1 Impedence 50  $\Omega$
  - 1.2 Frequency DC-6GHz
  - 1.3 Dielectric withstanding voltage 1000V(volts RMS)
  - 1.4 Center contact resistance  $\leq 3M\Omega$
  - 1.5 Outer contact resistance  $\leq 2M\Omega$
  - 1.6 Insulation resistance:  $\geq 5000M\Omega$

- 2 Environmental&Mechanical
  - 2.1 Temperature range -45 $^{\circ}$ c~85 $^{\circ}$ c
  - 2.2 RoHS Compliant
  - 2.3 Durability >500 cycles

- 3 Materials&plating
  - 3.1 Body: Brass, Nickel plated
  - 3.2 Insulator: Teflon
  - 3.3 Contact Pin: Phosphor Bronze, Gold plated
  - 3.4 Coupling Nut: Brass, nickel plated
  - 3.5 Washer: bronze, nickel plated
  - 3.6 Gasket: Silicon rubber(red color)



### Mounting Hole



#### Notes:

1. ALL SPECIFICATIONS ARE SUBJECT TO CHANGE NOTICE AT ANY TIME
2. CUSTOMER OUTLINE DRAWING FOR REFERENCE ONLY

REV	DESCRIPTION OF REVISION	ECN NO.	BY	DATE	APPROVED
A	Initial Release		T. Shihua	09/07/15	09/07/15

DRAWN : T. Shihua 09/07/15	TITLE: RF Adaptor
ENGINEER: C. Tao 09/07/15	TNC Female to Female Bulkhead
APPROVED : W. Qiang 09/07/15	
TOLERANCES UNLESS OTHERWISE SPECIFIED	
X ±0.50	
.X ±0.20	
.XX ±0.10	
ANGLES ±°	

		www.trf.com	
		DIMENSION IN MILLIMETERS (mm)	
SIZE: A4	SCALE: N/A	SHEET: 1/1	REV: A