

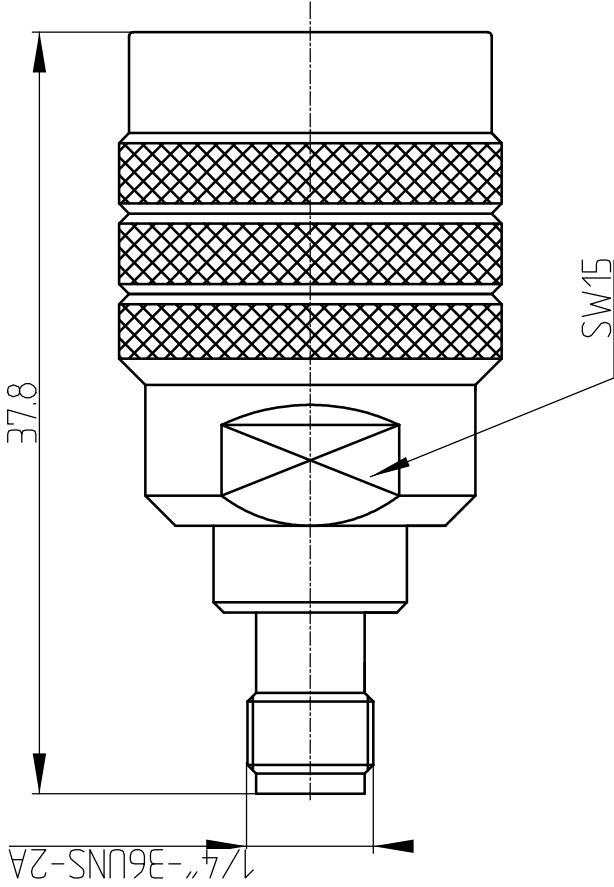
This document contains proprietary information and such information may not be disclosed to others for any purposes, not used for sales/marketing/procurement purposes without written permission

- 1 Electrical
 - 1.1 Impedance: 50 Ω
 - 1.2 Frequency: DC-18GHz
 - 1.3 VSWR: 1:20:1 max
- 2 Mechanical&Environmental
 - 2.1 Temperature range -45°C ~+125°C
 - 2.2 Durability(matings) >500
 - 2.3 RoHs Compliant Yes

- 3 Material&Finish
 - 3.1 Pin contact: Beryllium-Copper, gold plated
 - 3.2 Body: Stainless Steel(SU303), Passivated
 - 3.3 Insulators: PEI

4 Interface Standards

- 4.1 SMA MIL-STD-348A
- 4.2 N MIL-STD-348A



Notes:

- 1. ALL SPECIFICATIONS ARE SUBJECT TO CHANGE NOTICE AT ANY TIME
- 2. CUSTOMER OUTLINE DRAWING FOR REFERENCE ONLY

REV	DESCRIPTION OF REVISION	ECN NO.	BY	DATE	APPROVED
A	Initial Release		T. Shihua	1/8/14	1/8/14

DRAWN: T. Shihua 1/8/14		TITLE: Precision Adapter		www.tenitai.com	
ENGINEER: C. Tao 1/8/14		Quick N Male to SMA Female		DIMENSION IN MILLIMETERS (mm)	
APPROVED: W. Qiang 1/8/14		PART NO: QN/SMA-JKG		SCALE: N/A	
TOLERANCES UNLESS OTHERWISE SPECIFIED		SIZE: A4		SHEET: 1/1	
X	+0.50	ANGLES		REV: A	
.X	+0.20				
.XX	+0.10				
	*F				