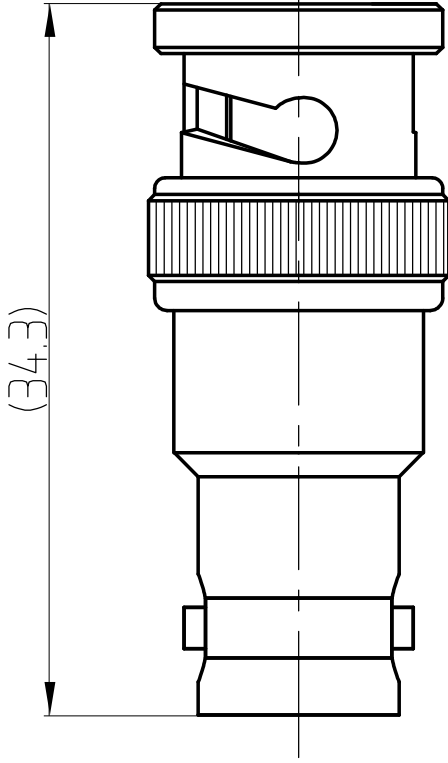


This document contains proprietary information and such information may not be disclosed to others for any purposes, not used for sales/marketing/procurement purposes without written permission

- 1. Electrical
 - 1.1 Impedence 50 Ω
 - 1.2 Frequency DC-300MHz
 - 1.3 Dielectric withstanding voltage 1500V rms,
 - 1.4 Working voltage(at sea level) 500V rms,
 - 1.5 Insulation resistance $\geq 5000 \cdot 10^3 M\Omega$
 - 1.3 Center contact resistance $\leq 15M\Omega$
 - 1.4 Outer contact resistance $\leq 1M\Omega$
- 2. Environmental & Mechanical
 - 2.1 Temperature range -45^o ~ 125^o
 - 2.2 RoHS Compliant
 - 2.3 Durability >500 cycles
- 3. Materials & Finish
 - 3.1 Body: Brass, Nickel plated
 - 3.2 Insulator: Teflon
 - 3.3 Contact Pin: Brass, gold plated
 - 3.4 Washer: Beryllium, nickel plated
 - 3.5 Nut: copper, nickel plated



REV	DESCRIPTION OF REVISION	ECN NO.	BY	DATE	APPROVED
A	Initial Release		T. Shihua	28/02/17	28/02/17

Notes:

- 1. ALL SPECIFICATIONS ARE SUBJECT TO CHANGE NOTICE AT ANY TIME
- 2. CUSTOMER OUTLINE DRAWING FOR REFERENCE ONLY

DRAWN: T. Shihua 28/02/17
 ENGINEER: C. Tao 28/02/17
 APPROVED: W. Qiang 28/02/17
 TOLERANCES UNLESS OTHERWISE SPECIFIED
 X +0.50
 .X +0.20
 .XX +0.10
 ANGLES *°

TITLE:
 RF Adaptor
 SHV Male to BNC Male



www.tfh-f.com



DIMENSION IN MILLIMETERS (mm)

PART NO: SHV/BNC-JJ
 SCALE: N/A
 SHEET: 1/1
 REV: A