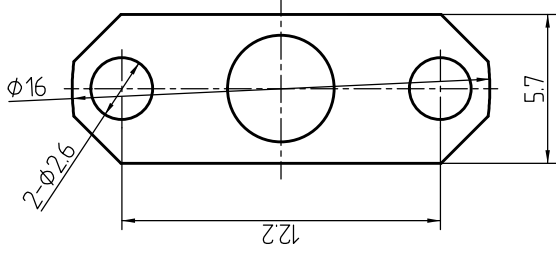
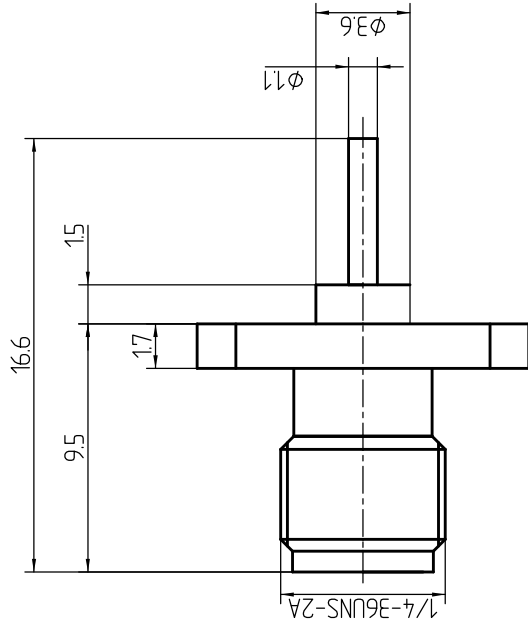
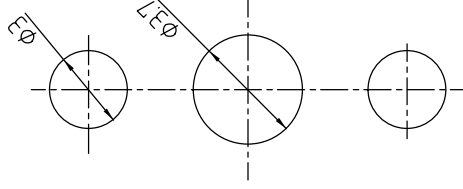


This document contains proprietary information and such information may not be disclosed to others for any purposes, not used for sales/marketing/procurement purposes without written permission



Mounting Hole



- 1. Electrical
 - 1.1 Impedance 50 Ω
 - 1.2 Frequency DC ~6GHz
 - 1.3 Dielectric withstanding voltage 1000V (volts RMS)
 - 1.4 Center contact resistance ≤ 3MΩ
 - 1.5 Outer contact resistance ≤ 2MΩ
 - 1.6 Insulation resistance: ≥ 5000MΩ
 - 1.7 VSWR 1.2max

- 2. Environmental & Mechanical
 - 2.1 Temperature range -45°C ~ 85°C
 - 2.2 RoHS Compliant
 - 2.3 Durability > 500 cycles

- 3. Materials & Plating
 - 3.1 Body: Brass, Gold plated
 - 3.2 Insulator: Teflon
 - 3.3 Contact Pin: Beryllium-copper, Gold plated

Notes:

- 1. ALL SPECIFICATIONS ARE SUBJECT TO CHANGE NOTICE AT ANY TIME
- 2. CUSTOMER OUTLINE DRAWING FOR REFERENCE ONLY

REV	DESCRIPTION OF REVISION	ECN NO.	BY	DATE	APPROVED
A	Initial Release		T. Haiyum	15/09/17	15/09/17

DRAWN: T. Haiyum 15/09/17 ENGINEER: C. Teo 15/09/17 APPROVED: W. Giang 12/07/08 TOLERANCES UNLESS OTHERWISE SPECIFIED X ±0.50 .X ±0.20 .XX ±0.10 ANGLES ° ±1°	TITLE: RF Coaxial Connector SMA Female Flange Conn. Terminal		www.crl.com DIMENSION IN MILLIMETERS (mm)
PART NO: SMA-RFD1044	SCALE: N/A	SHEET: 1/1	REV: A