

This document contains proprietary information and such information may not be disclosed to others for any purposes, not used for sales/marketing/procurement purposes without written permission

REV	DESCRIPTION OF REVISION	ECN NO.	BY	DATE	APPROVED
A	Initial Release		T. Shihua	26/8/16	26/8/16

1 Electrical

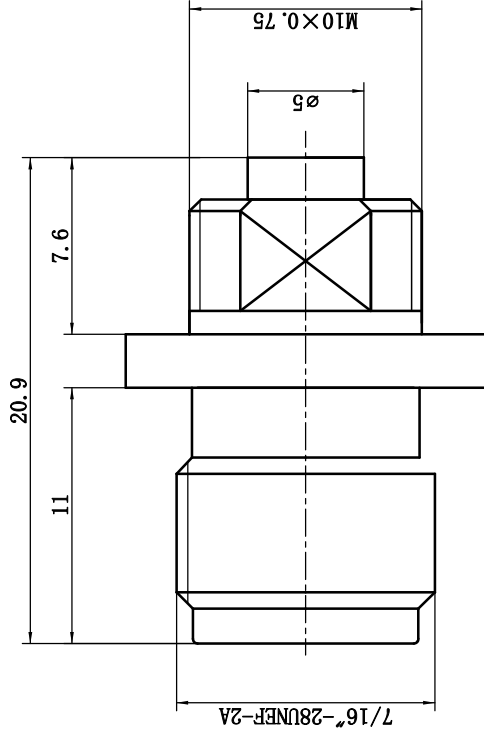
- 1.1 Impedance: 50 Ω
- 1.2 Frequency: DC-6GHz
- 1.3 VSWR: 1.30:1

2 Mechanical&Environmental

- 2.1 Temperature range -45° C ~+125° C
- 2.2 Durability(matings) >500
- 2.3 RoHs Compliant Yes

3 Material&Finish

- 3.1 Pin contact: Bronze, gold plated
- 3.2 Body: Brass, Suco-plated
- 3.3 Insulators: Teflon



Notes:

- 1. ALL SPECIFICATIONS ARE SUBJECT TO CHANGE NOTICE AT ANY TIME
- 2. CUSTOMER OUTLINE DRAWING FOR REFERENCE ONLY

DRAWN: T. Shihua 26/8/16
ENGINEER: C. Tao 26/8/16
APPROVED: W. Qiang 26/8/16
TOLERANCES UNLESS OTHERWISE SPECIFIED
X ±0.50
.X ±0.20
.XX ±0.10
ANGLES ±1°

TITLE:	
Precision Adapter	
TNC Female to MCX Female B/H Adaptor	
PART NO:	TNC/MCX-KYK

		www.rf-connector-china.com	
		DIMENSION IN MILLIMETERS (mm)	
SIZE:	A4	SCALE:	N/A
SHEET:	1/1	REV:	A