

This document contains proprietary information and such information may not be disclosed to others for any purposes, not used for sales/marketing/procurement purposes without written permission

| REV | DESCRIPTION OF REVISION | ECN NO. | BY | DATE | APPROVED |
|-----|-------------------------|---------|----------|----------|----------|
| A | Initial Release | | T.Shihua | 18/02/14 | 18/02/14 |

1 Electrical

1.1 Impedance: 50 Ω

1.2 Frequency: DC-300MHz

2 Mechanical

2.1 Center contact: solder

3 Environmental

3.1 RoHS compliant

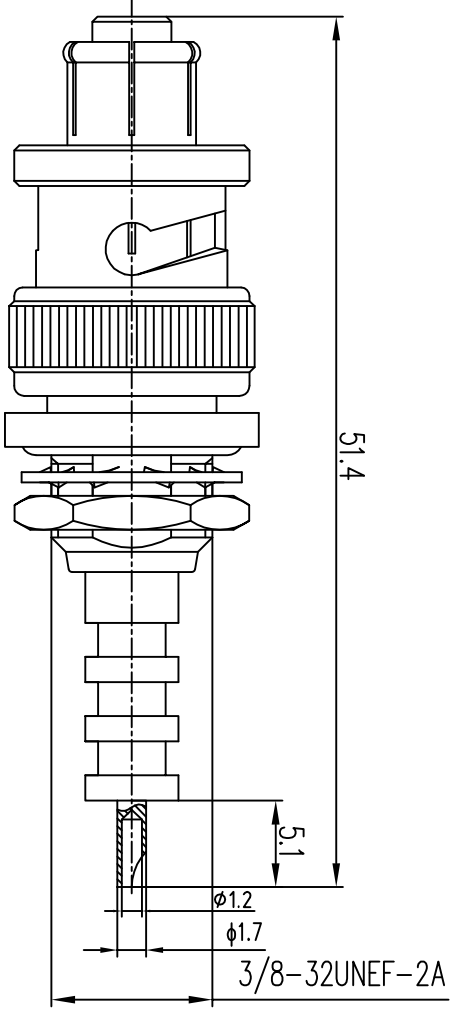
3.2 Operating temperature -65° to 165°

4 Material&Finish

4.1 Inner Contact: phosphor bronze, gold plated


4.2 Outer Contact: nickel, gold plated

4.3 Insulators: PTFE



Notes:

- 1. ALL SPECIFICATIONS ARE SUBJECT TO CHANGE NOTICE AT ANY TIME
- 2. CUSTOMER OUTLINE DRAWING FOR REFERENCE ONLY

| | | |
|--|-------------------------------|--|
| DRAWN: T.Shihua 18/02/14 | TITLE: SHV-KYD1 |  DIMENSION IN MILLIMETERS (mm) |
| ENGINEER: C.Too 18/02/14 | SHV Female Bulkhead Connector | |
| APPROVED: W.Qiang 18/02/14 | For Terminal | SIZE: A4 SCALE: N/A SHEET: 1/1 REV: A |
| TOLERANCES UNLESS OTHERWISE SPECIFIED X ±0.30 .X ±0.20 .XX ±0.10 ANGLES 3° | | PART NO: TRL-SHV-26386 www.trelly.com.cn |