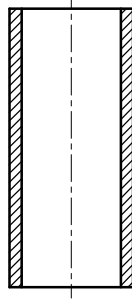
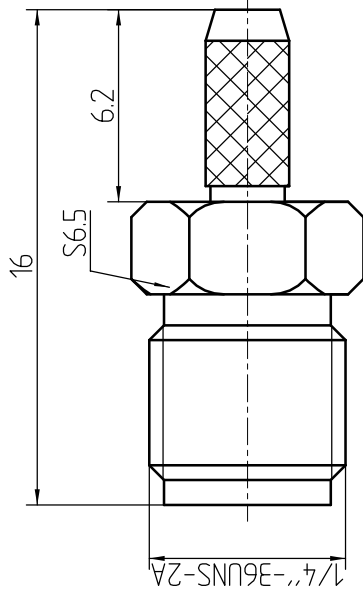


This document contains proprietary information and such information may not be disclosed to others for any purposes, not used for sales/marketing/procurement purposes without written permission

1. Electrical
 - 1.1 Impedance 50 Ω
 - 1.2 Frequency 0~6GHz
 - 1.2 Dielectric withstanding voltage 1000V (volts RMS)
 - 1.3 Center contact resistance ≤ 3MΩ
 - 1.4 Outer contact resistance ≤ 2MΩ
 - 1.5 Insulation resistance: ≥ 5000MΩ
 - 1.6 VSWR 1.25:1
2. Environmental & Mechanical
 - 2.1 Temperature range -55℃~125℃
 - 2.2 RoHS Compliant YES
 - 2.3 Durability >500 cycles
3. Materials & plating
 - 3.1 Body: Brass; Gold, plated
 - 3.2 Insulator: Teflon
 - 3.3 Contact Pin: Beryllium-copper; Gold plated



Notes:

1. ALL SPECIFICATIONS ARE SUBJECT TO CHANGE NOTICE AT ANY TIME
2. CUSTOMER OUTLINE DRAWING FOR REFERENCE ONLY

REV	DESCRIPTION OF REVISION	ECN NO.	BY	DATE	APPROVED
A	Initial Release		T. Haiyum	5/11/14	5/11/14

DRAWN: T. Haiyum 5/11/14 ENGINEER: C. Tao 5/11/14 APPROVED: W. Qiang 5/11/14 TOLERANCES UNLESS OTHERWISE SPECIFIED X ±0.50 .X ±0.20 .XX ±0.10 ANGLES ° ±°	TITLE: RF Coaxial Connector SMA male Flange Connector RG316 Cable	 www.rf-connector-china.com
DIMENSION IN MILLIMETERS (mm)	DIMENSION IN MILLIMETERS (mm)	DIMENSION IN MILLIMETERS (mm)
SIZE: A4	SCALE: N/A	SHEET: 1/1
PART NO: SMA-K3Y-HY	SHEET: 1/1	REV: A