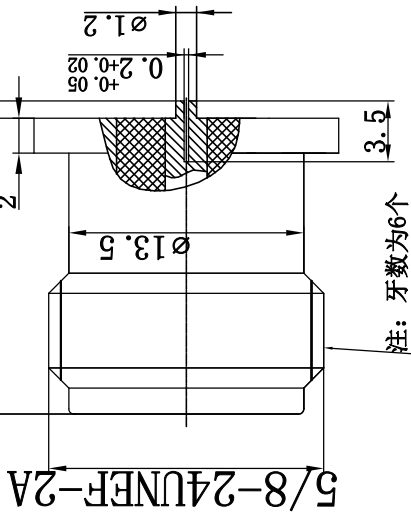


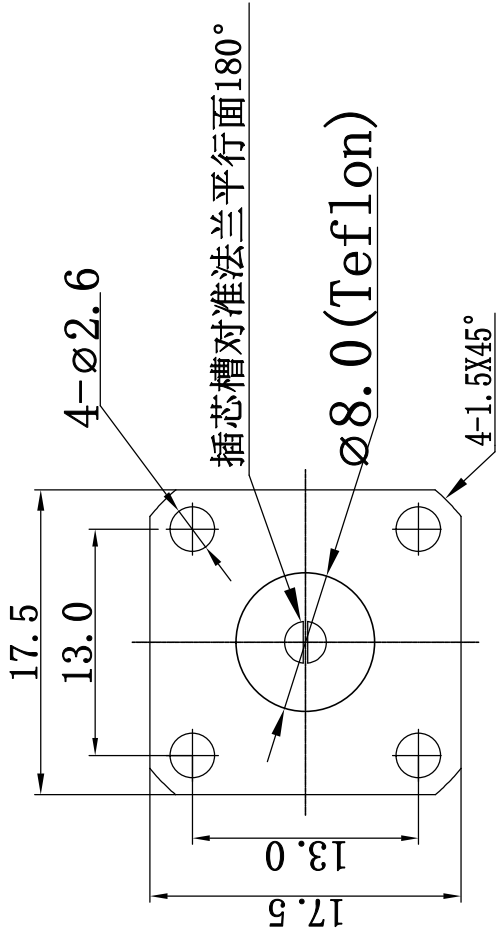
This document contains proprietary information and such information may not be disclosed to others for any purposes, not used for sales/marketing/procurement purposes without written permission



- 1 Electrical
  - 1.1 Impedance: 50 Ω
  - 1.2 Frequency: 0-6GHz
  - 1.3 Insulation resistance: ≥5000MΩ
  - 1.4 Dielectric strength: 1500V
  - 1.5 Center Contact resistance ≤ 1MΩ
  - 1.6 Outer contact resistance ≤ 0.2MΩ
  - 1.7 VSWR: 1.20: 1

2 Materials&Finish

- 2.1 Inner Contact: Phosphor bronze, gold plated
- 2.2 Outer Contact: Brass, Suco-plated
- 2.3 Insulators: PTFE



REV	DESCRIPTION OF REVISION	BY	DATE	APPROVED
A	Initial Release	T. Shihua	11/09/15	11/09/15
B	New Release	T. Shihua		

Notes:

1. ALL SPECIFICATIONS ARE SUBJECT TO CHANGE NOTICE AT ANY TIME
2. CUSTOMER OUTLINE DRAWING FOR REFERENCE ONLY

DRAWN: T. Shihua 11/09/15	TITLE: RF Coaxial Connector	
ENGINEER: C. Tao 11/09/15	N Female Straight Flange Connector	
APPROVED: H. Qiang 11/09/15	Terminal	
TOLERANCES UNLESS OTHERWISE SPECIFIED	DIMENSION IN MILLIMETERS (mm)	
X ±0.50	A4	
.X ±0.20	SCALE: N/A	
.XX ±0.10	SHEET: 1/1	
ANGLES ±1°	REV: B	
PART NO: H-KFD11-F	www.teruihai.com	