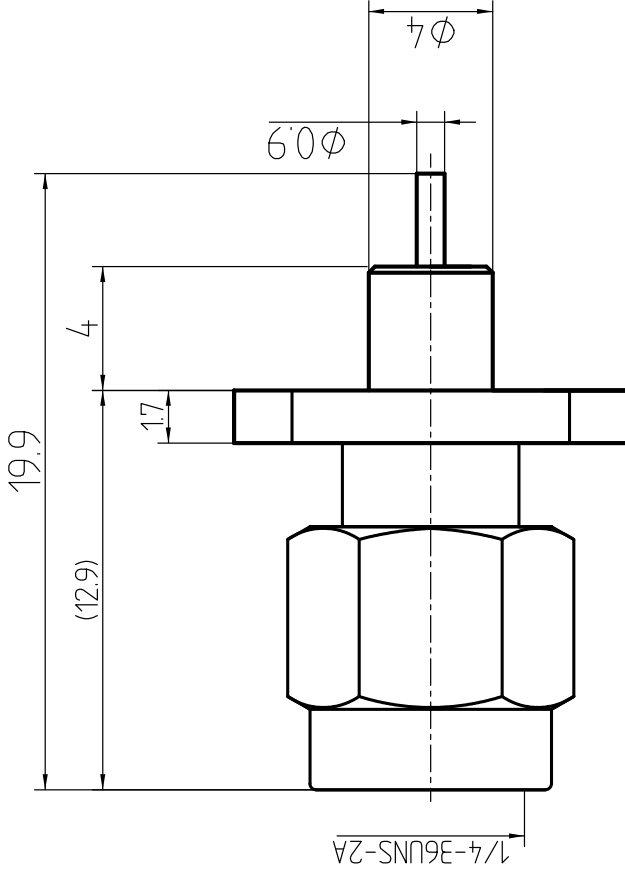


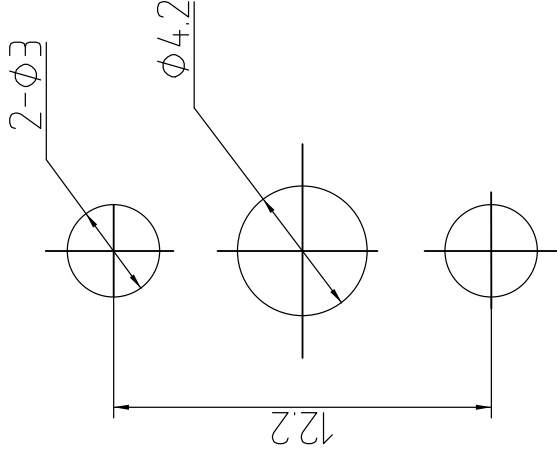
This document contains proprietary information and such information may not be disclosed to others for any purposes, not used for sales/marketing/procurement purposes without written permission



1 Electrical

- 1.1 Impedance 50 Ω
- 1.2 Frequency 0~6GHz
- 1.3 Dielectric withstanding voltage 1000V (volts RMS)
- 1.4 Center contact resistance ≤ 3M Ω
- 1.5 Outer contact resistance ≤ 2M Ω
- 1.6 Insulation resistance: ≥ 5000M Ω
- 1.2:1

Mounting Hole



2 Environmental&Mechanical

- 2.1 Temperature range -45℃~85℃
- 2.2 RoHs Compliant YES
- 2.3 Durability >500 cycles

3 Materials&plating

- 3.1 Body: Brass; Gold, plated
- 3.2 Insulator: Teflon
- 3.3 Contact Pin: Brass; Gold,plated

Notes:

- 1. ALL SPECIFICATIONS ARE SUBJECT TO CHANGE NOTICE AT ANY TIME
- 2. CUSTOMER OUTLINE DRAWING FOR REFERENCE ONLY

REV	DESCRIPTION OF REVISION	ECN NO.	BY	DATE	APPROVED
A	Initial Release		T. Haiyum	5/11/14	5/11/14

DRAWN : T. Haiyum 5/11/14 ENGINEER : C. Tao 5/11/14 APPROVED : W. Qiang 5/11/14 TOLERANCES UNLESS OTHERWISE SPECIFIED X ±0.50 .X ±0.20 .XX ±0.10 ANGLES °P	TITLE: RF Coaxial Connector SMA male Flange Connector Terminal	www.terulilai.com DIMENSION IN MILLIMETERS (mm)
PART NO: SMA-JFD13	SIZE: A4	SCALE: N/A
SHEET: 1/1	REV: A	REV: A