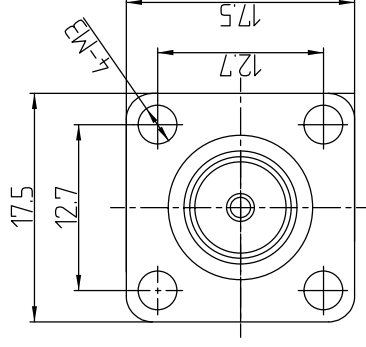
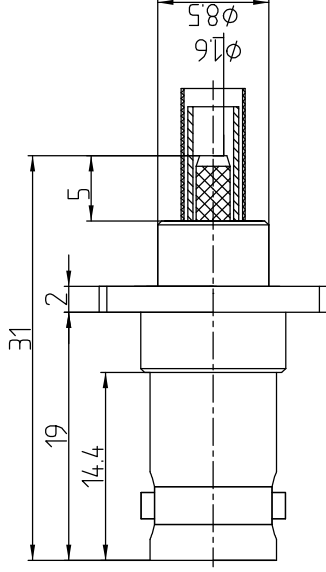


This document contains proprietary information and such information may not be disclosed to others for any purposes, not used for sales/marketing/procurement purposes without written permission

- 1 Electrical
 - 1.1 Impedence 50 Ω
 - 1.2 Frequency DC-4GHz
 - 1.3 Dielectric withstanding voltage 1000V(volts RMS)
 - 1.4 Center contact resistance $\leq 3M \Omega$
 - 1.5 Outer contact resistance $\leq 2M \Omega$
 - 1.6 Insulation resistance: $\geq 5000M \Omega$

- 2 Environmental&Mechanical
 - 2.1 Temperature range -65 $^{\circ}$ c~165 $^{\circ}$ c
 - 2.2 RoHs Compliant
 - 2.3 Durability >500 cycles

- 3 Materials&plating (Micro-inch)
 - 3.1 Body: Brass, Nickel plated
 - 3.2 Insulator: Teflon
 - 3.3 Contact Pin: Phosphor Bronze, Gold plated



Notes:

1. ALL SPECIFICATIONS ARE SUBJECT TO CHANGE NOTICE AT ANY TIME
2. CUSTOMER OUTLINE DRAWING FOR REFERENCE ONLY

REV	DESCRIPTION OF REVISION	ECN NO.	BY	DATE	APPROVED
A	Initial Release		T. Shihua	02/08/13	02/08/13

DRAWN: T. Shihua 02/08/13	TITLE: RF Coaxial Connector
ENGINEER: C. Tao 02/08/13	BNC Female Flange Conn. For
APPROVED: W. Qiang 02/08/13	RG316 Cable
TOLERANCES UNLESS OTHERWISE SPECIFIED	
X ±0.50	
.X ±0.20	
.XX ±0.10	
ANGLES ±1°	

		www.rf-connector-china.com	
		DIMENSION IN MILLIMETERS (mm)	
SIZE: A4	SCALE: N/A	SHEET: 1/1	REV: A
PART NO: BNC-RF31A			