

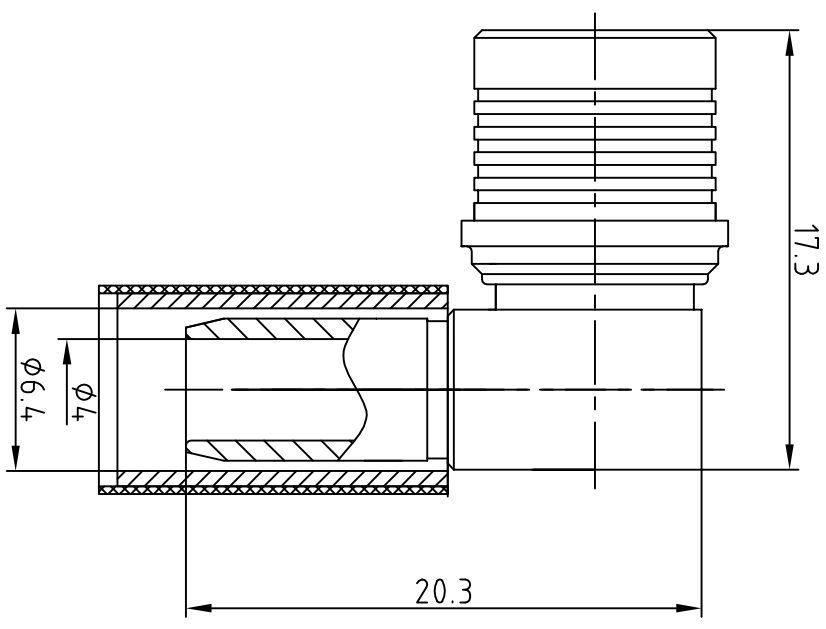
This document contains proprietary information and such information may not be disclosed to others for any purposes, not used for sales/marketing/procurement purposes without written permission

REV	DESCRIPTION OF REVISION	ECN NO.	BY	DATE	APPROVED
A	Initial Release		T.HoJyun	28/8/13	28/8/13

- 1 Electrical**
- 1.1 Impedence: 50 Ω
 - 1.2 Frequency: 0~6GHz
 - 1.3 Dielectric withstanding voltage: 1500V(volts RMS)
 - 1.4 Working Voltage: 500V rms max
 - 1.5 Insulation resistance: $\geq 5000M\Omega$
 - 1.6: Center Contact resistance: $< 3 M\Omega$
 - 1.7 Outer Contact Resistance: $< 2.5 M\Omega$


- 2 Environmental&Mechanical**
- 2.1 Temperature range: $-40^{\circ}C \sim 85^{\circ}C$
 - 2.2 RoHS Compliant
 - 2.3 Durability: > 500 cycles

- 3 Materials&Finish**
- 3.1 Body: Brass, Suco-plated
 - 3.2 Insulator: Teflon
 - 3.3 Contact Pin: Brass, Silver plated
 - 3.4 Spring: Phosphor bronze, Suco-plated
 - 3.5 Crimp ferrule: Copper, nickel plated



Notes:

- 1. ALL SPECIFICATIONS ARE SUBJECT TO CHANGE NOTICE AT ANY TIME
- 2. CUSTOMER OUTLINE DRAWING FOR REFERENCE ONLY

DRAWN: T.HoJyun 28/08/13 ENGINEER: C.Too 28/08/13 APPROVED: W.Qiang 28/08/13 <small>TOLERANCES UNLESS OTHERWISE SPECIFIED</small> X ±0.30 XX ±0.20 ANGLEs ±1°	TITLE: QMA-JW240Y QMA Male R/A Conn. For LMR240 Cable	 www.trttech.com
PART NO: TRL-QMAM-5131	SIZE: A4 SCALE: 1:1 SHEET: 1/1 REV: A	

1 2 3 4