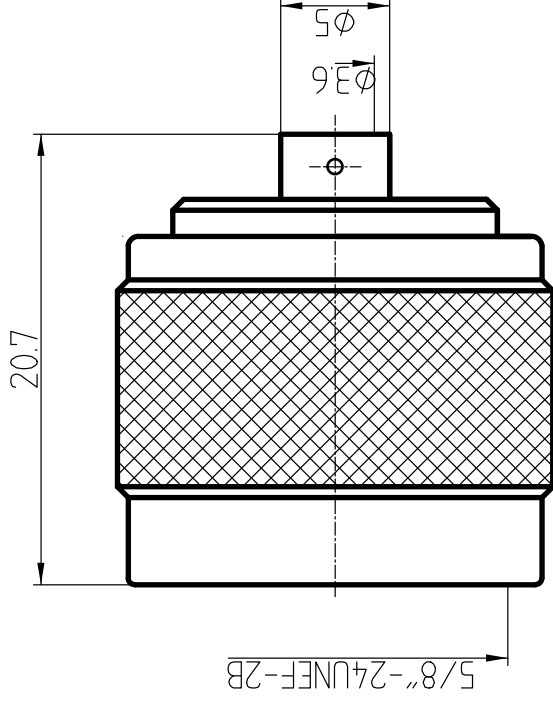


This document contains proprietary information and such information may not be disclosed to others for any purposes, not used for sales/marketing/procurement purposes without written permission

- 1 Electrical data
 - 1.1 Impedance: 50 Ω
 - 1.2 Frequency: DC-6GHz
 - 1.3 VSWR 1.25:1

- 2 Mechanical data
 - 2.1 Temperature range -45°C ~ +125°C
 - 2.2 Durability (matings) >500

- 3 Material & Finish
 - 3.1 Contact: Brass, gold plated
 - 3.2 Body: Brass, nickel plated
 - 3.3 Insulators: PTFE



Notes:

1. ALL SPECIFICATIONS ARE SUBJECT TO CHANGE NOTICE AT ANY TIME
2. CUSTOMER OUTLINE DRAWING FOR REFERENCE ONLY

| REV | DESCRIPTION OF REVISION | ECN NO. | BY | DATE | APPROVED |
|-----|-------------------------|---------|-----------|----------|----------|
| A | Initial Release | | T. Shihua | 18/02/14 | 18/02/14 |

| | | |
|---------------------------------------|-------------------------------|--|
| DRAWN : T. Shihua 18/02/14 | TITLE: RF Coaxial Connector | |
| ENGINEER: C. Tao 18/02/14 | N Male Straight Connector | |
| APPROVED : W. Qiang 18/02/14 | For .141 Cable | |
| TOLERANCES UNLESS OTHERWISE SPECIFIED | DIMENSION IN MILLIMETERS (mm) | |
| X ±0.50 | A4 | |
| .X ±0.20 | SCALE: N/A | |
| .XX ±0.10 | SHEET: 1/1 | |
| ANGLES ° | REV: A | |



www.carl.com



DIMENSION IN MILLIMETERS (mm)

SIZE: A4

SCALE: N/A

SHEET: 1/1

REV: A