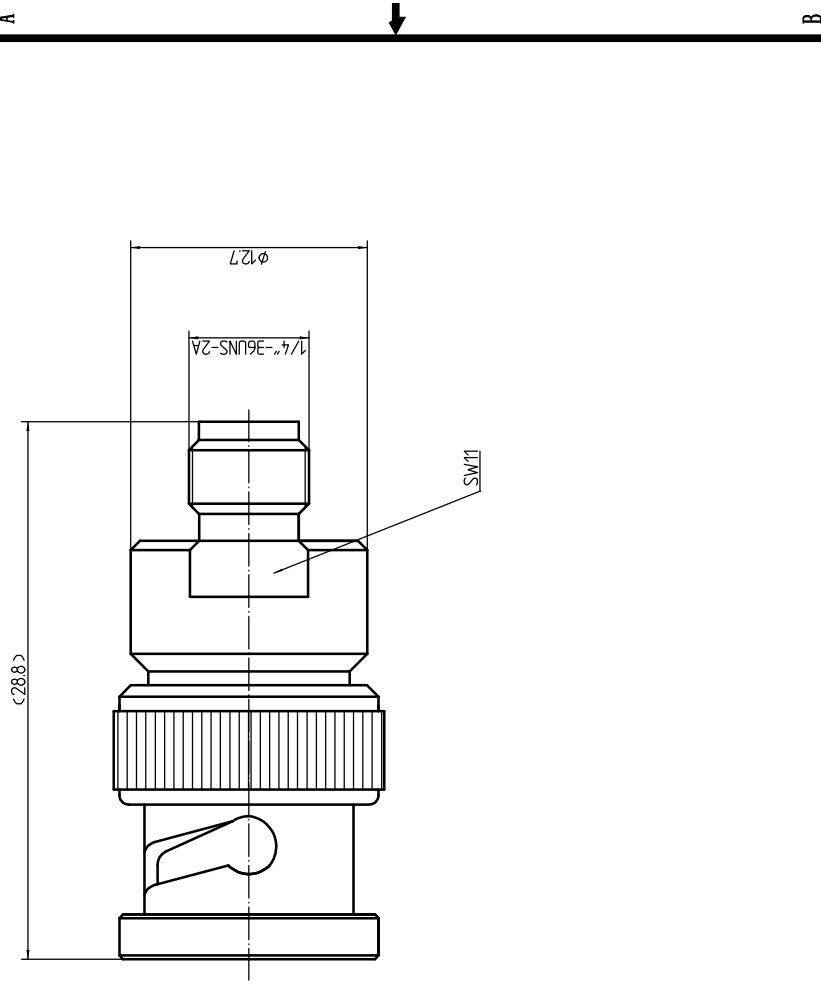


This document contains proprietary information and such information may not be disclosed to others for any purposes, not used for sales/marketing/procurement purposes without written permission

- 1 Electrical Data:
 1.1 Impedance: 50Ω
 1.2 Frequency: DC~4GHz
 1.3 VSWR: 1.25:1

2 Material&Finish

- 2.1 Inner Contact: gold plated over Phosphor bronze
 2.2 Outer Contact: nickel plated over brass.
 2.3 Insulators: Teflon



REV	DESCRIPTION OF REVISION	ECN NO.	BY	DATE	APPROVED
A	Initial Release		T. Shihua	09/07/15	09/07/15

DRAWN: T. Shihua 09/07/15		TITLE: RF Adaptor	
ENGINEER: C. Tao 09/07/15		BNC Female to SMA Female Adaptor	
APPROVED: W. Qiang 09/07/15		SCALE: N/A	
TOLERANCES UNLESS OTHERWISE SPECIFIED		SHEET: 1/1	
X	+0.50	REV: A	
.X	+0.20	DIMENSION IN MILLIMETERS (mm)	
.XX	+0.10	SIZE: A4	
ANGLES	*°	PART NO: BNC/SMA-JK-F	

Notes:

- ALL SPECIFICATIONS ARE SUBJECT TO CHANGE NOTICE AT ANY TIME
- CUSTOMER OUTLINE DRAWING FOR REFERENCE ONLY