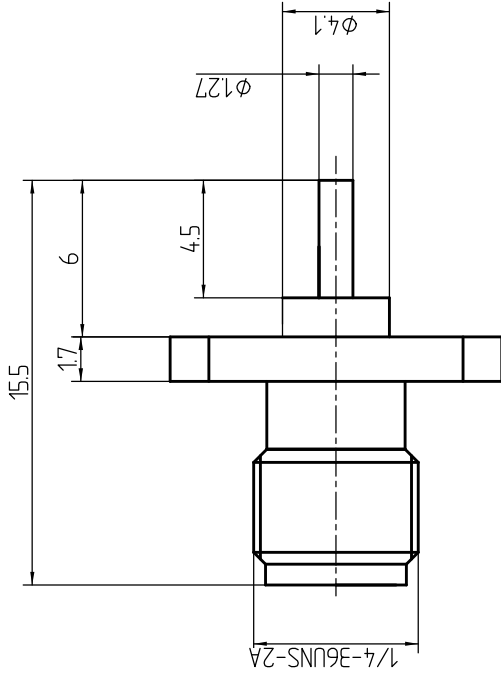


This document contains proprietary information and such information may not be disclosed to others for any purposes, not used for sales/marketing/procurement purposes without written permission

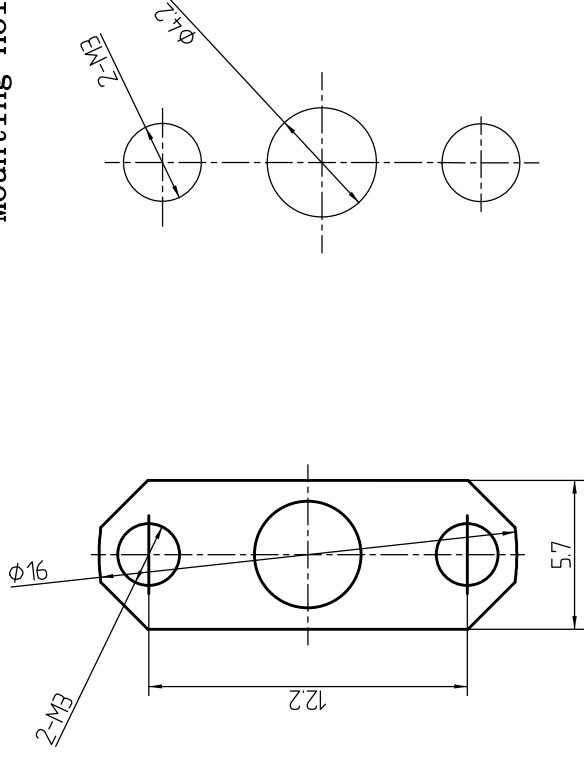


1. Electrical
 - 1.1 Impedance: $50\ \Omega$
 - 1.2 Frequency: DC ~6GHz
 - 1.3 Dielectric withstanding voltage: 1000V (volts RMS)
 - 1.4 Center contact resistance: $\leq 3\ m\Omega$
 - 1.5 Outer contact resistance: $\leq 2\ m\Omega$
 - 1.6 Insulation resistance: $\geq 50000\ M\Omega$
 - 1.7 VSWR: 1.2max

2. Environmental & Mechanical
 - 2.1 Temperature range: -45°C ~ 85°C
 - 2.2 RoHS Compliant
 - 2.3 Durability: >500 cycles

3. Materials & Plating
 - 3.1 Body: Brass, Gold plated
 - 3.2 Insulator: Teflon
 - 3.3 Contact Pin: Beryllium-copper, Gold plated

Mounting Hole



REV	DESCRIPTION OF REVISION	ECN NO.	BY	DATE	APPROVED
A	Initial Release		T. Haiyum	15/09/17	15/09/17

DRAWN: T. Haiyum 15/09/17		TITLE: RF Coaxial Connector	
ENGINEER: C. Teo 15/09/17		SMA Female Flange Conn. Terminal	
APPROVED: W. Giang 12/07/08		www.tfh-f.com	
TOLERANCES UNLESS OTHERWISE SPECIFIED		DIMENSION IN MILLIMETERS (mm)	
X	+0.50		
.X	+0.20		
.XX	+0.10		
ANGLES	*°		
PART NO: SMA-KFD1033	SCALE: N/A	SHEET: 1/1	REV: A

Notes:

1. ALL SPECIFICATIONS ARE SUBJECT TO CHANGE NOTICE AT ANY TIME
2. CUSTOMER OUTLINE DRAWING FOR REFERENCE ONLY