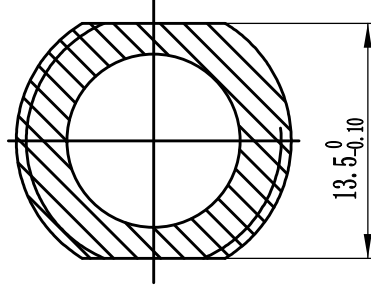
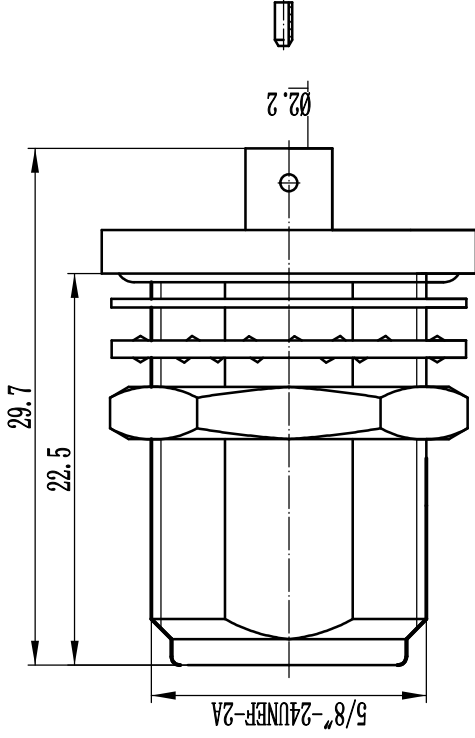


This document contains proprietary information and such information may not be disclosed to others for any purposes, not used for sales/marketing/procurement purposes without written permission

- 1 Electrical
 - 1.1 Impedence 50 Ω
 - 1.2 Frequency DC-6GHz
 - 1.3 Dielectric withstanding voltage 1500V(volts RMS)
 - 1.4 Center contact resistance $\leq 1M\Omega$
 - 1.5 Outer contact resistance $\leq 0.2M\Omega$
 - 1.6 Insulation resistance: $\geq 5000M\Omega$

- 2 Environmental&Mechanical
 - 2.1 Temperature range -45 $^{\circ}$ c~125 $^{\circ}$ c
 - 2.2 RoHs Compliant
 - 2.3 Durability >500 cycles


- 3 Materials&Finish
 - 3.1 Body: Brass, Nickel plated
 - 3.2 Insulator: Teflon
 - 3.3 Contact Pin: Bronze, silver plated
 - 3.4 Nut: Brass, Nickel plated
 - 3.5 Gasket: Silicon rubber(red)
 - 3.6 Washer: Brass, nickel plated



Notes:

1. ALL SPECIFICATIONS ARE SUBJECT TO CHANGE NOTICE AT ANY TIME
2. CUSTOMER OUTLINE DRAWING FOR REFERENCE ONLY

REV	DESCRIPTION OF REVISION	ECN NO.	BY	DATE	APPROVED
A	Initial Release		T. Shihua	10/09/16	10/09/16

DRAWN: T. Shihua 10/09/16 ENGINEER: C. Tao 10/09/16 APPROVED: W. Qiang 10/09/16 TOLERANCES UNLESS OTHERWISE SPECIFIED X ±0.50 .X ±0.20 .XX ±0.10 ANGLES ±1°	TITLE: RF Coaxial Connector N Female B/H Connector For .086 Cable	 www.taruilai.com
PART NO: N-KYB2T	DIMENSION IN MILLIMETERS (mm)	SCALE: N/A SHEET: 1/1 REV: B