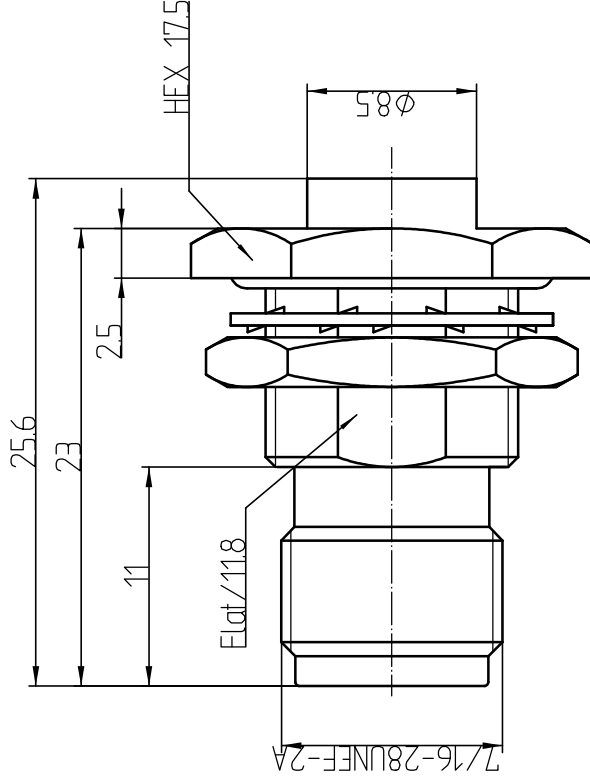


This document contains proprietary information and such information may not be disclosed to others for any purposes, not used for sales/marketing/procurement purposes without written permission

- 1 Electrical
 - 1.1 Impedence 50Ω
 - 1.2 Frequency DC ~ 3GHz
 - 1.3 VSWR 1.20:1
- 2 Environmental & Mechanical
 - 2.1 Temperature range $-40^{\circ}\text{C} \sim +85^{\circ}\text{C}$
 - 2.2 RoHS Compliant
 - 2.3 Durability > 500 cycles
- 3 Materials & plating
 - 3.1 Body: Brass; Nickel plated
 - 3.2 Insulator: Teflon
 - 3.3 Contact Pin: Bronze, Gold plated
 - 3.4 Nut: Brass, Nickel plated
 - 3.5 Gasket: Silicon Rubber (red color)
 - 3.6 Washer: Brass, Nickel plated



REV	DESCRIPTION OF REVISION	ECN NO.	BY	DATE	APPROVED
A	Initial Release		T. Haiyum	21/05/08	21/05/08

Notes:

1. ALL SPECIFICATIONS ARE SUBJECT TO CHANGE NOTICE AT ANY TIME
2. CUSTOMER OUTLINE DRAWING FOR REFERENCE ONLY

DRAWN: T. Haiyum 21/05/08

ENGINEER: C. Tao 21/05/08

APPROVED: W. Qiang 21/05/08

TOLEANCES UNLESS OTHERWISE SPECIFIED

X ± 0.50

.X ± 0.20

.XX ± 0.10

ANGLES $\pm 1^{\circ}$

TITLE:

RF Coaxial Connector

TNC Female B/H Conn. for RG316 Cable

PART NO: TNC-KYB316



www.rf-connector-china.com



DIMENSION IN MILLIMETERS (mm)

SIZE: A4

SCALE: N/A

SHEET: 1/1

REV: A