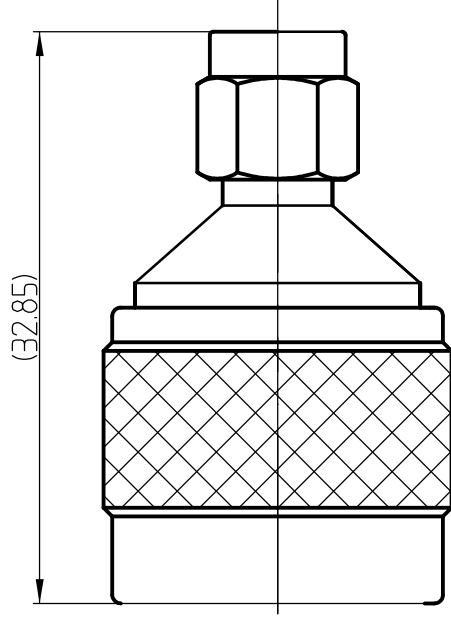


This document contains proprietary information and such information may not be disclosed to others for any purposes, not used for sales/marketing/procurement purposes without written permission

- 1 Electrical
 - 1.1 Impedence: 50 Ω
 - 1.2 Frequency: 0 ~6GHz
 - 1.3 Dielectric withstanding voltage: 1000V(volts RMS)
 - 1.4 Center contact resistance: ≤ 3MΩ
 - 1.5 Outer contact resistance: ≤ 2MΩ
 - 1.6 Insulation resistance: ≥ 5000MΩ
- 2 Environmental&Mechanical
 - 2.1 Temperature range: -45 °c ~125 °c
 - 2.2 RoHs Compliant
 - 2.3 Durability: >500 cycles
- 3 Materials&plating
 - 3.1 Body: Brass, nickel plated
 - 3.2 Insulator: Teflon
 - 3.3 Contact Pin: Brass, Gold plated
 - 3.4 Coupling nut: Brass, Gold plated
 - 3.5 Spring: Phosphor bronze, nickel plated
 - 3.6 Gasket: Silicon Rubber



Notes:

1. ALL SPECIFICATIONS ARE SUBJECT TO CHANGE NOTICE AT ANY TIME
2. CUSTOMER OUTLINE DRAWING FOR REFERENCE ONLY

| REV | DESCRIPTION OF REVISION | ECN NO. | BY | DATE | APPROVED |
|-----|-------------------------|---------|-----------|---------|----------|
| A | Initial Release | | T. Shihua | 18/7/13 | 18/7/13 |

| | | | |
|---------------------------------------|-------|-------------------------------|------------|
| DRAWN: T. Shihua 18/07/13 | | TITLE: RF Adaptor | |
| ENGINEER: C. Tao 18/07/13 | | N male to SMA male adaptor | |
| APPROVED: W. Qiang 18/07/13 | | www.trelytech.com | |
| TOLERANCES UNLESS OTHERWISE SPECIFIED | | DIMENSION IN MILLIMETERS (mm) | |
| X | +0.50 | | |
| .X | +0.20 | | |
| .XX | +0.10 | | |
| ANGLES ±° | | SCALE: 1:1 | SHEET: 1/1 |
| PART NO: N/SMA-JJ | | SIZE: A4 | REV: A |

