

This document contains proprietary information and such information may not be disclosed to others for any purposes, not used for sales/marketing/procurement purposes without written permission

1 Electrical

- 1.1 Impedance: 50 Ω
- 1.2 Frequency: DC-67GHz
- 1.3 VSWR: 1.3:1

2 Mechanical&Environmental

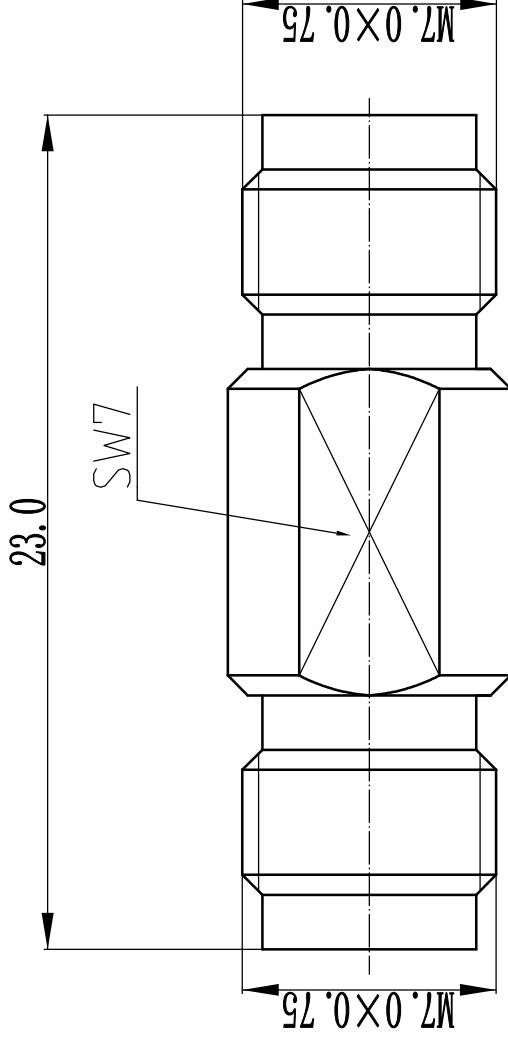
- 2.1 Temperature range -45°C ~+125°C
- 2.2 Durability(matings) >500
- 2.3 RoHs Compliant Yes

3 Material&Finish

- 3.1 Pin contact: Beryllium-Copper, gold plated
- 3.2 Body: Stainless Steel, Passivated
- 3.3 Insulators: PEI

4 Interface Standards

- 4.1 1.85mm IEC-61169



| REV | DESCRIPTION OF REVISION | ECN NO. | BY | DATE | APPROVED |
|-----|-------------------------|---------|-----------|--------|----------|
| A | Initial Release | | T. Shihua | 1/8/14 | 1/8/14 |

Notes:

- 1. ALL SPECIFICATIONS ARE SUBJECT TO CHANGE NOTICE AT ANY TIME
- 2. CUSTOMER OUTLINE DRAWING FOR REFERENCE ONLY

| | | |
|--|---|--|
| DRAWN: T. Shihua 1/8/14 ENGINEER: C. Tao 1/8/14 APPROVED: W. Qiang 1/8/14 TOLERANCES UNLESS OTHERWISE SPECIFIED X +0.050 .X +0.20 .XX +0.10 ANGLES *° | TITLE: Precision RF Adapter 1.85 Female to 1.85 Female PART NO: 1.85-KKG | www.tenulai.com DIMENSION IN MILLIMETERS (mm) SCALE: N/A SHEET: 1/1 REV: A |
|--|---|--|