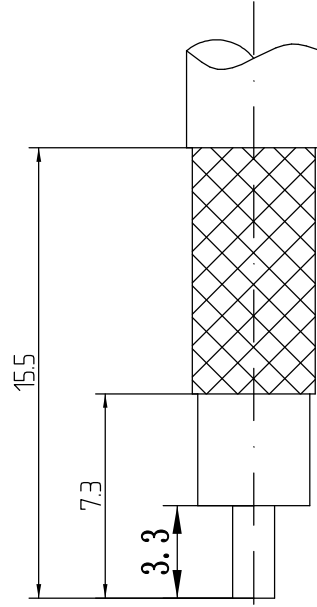
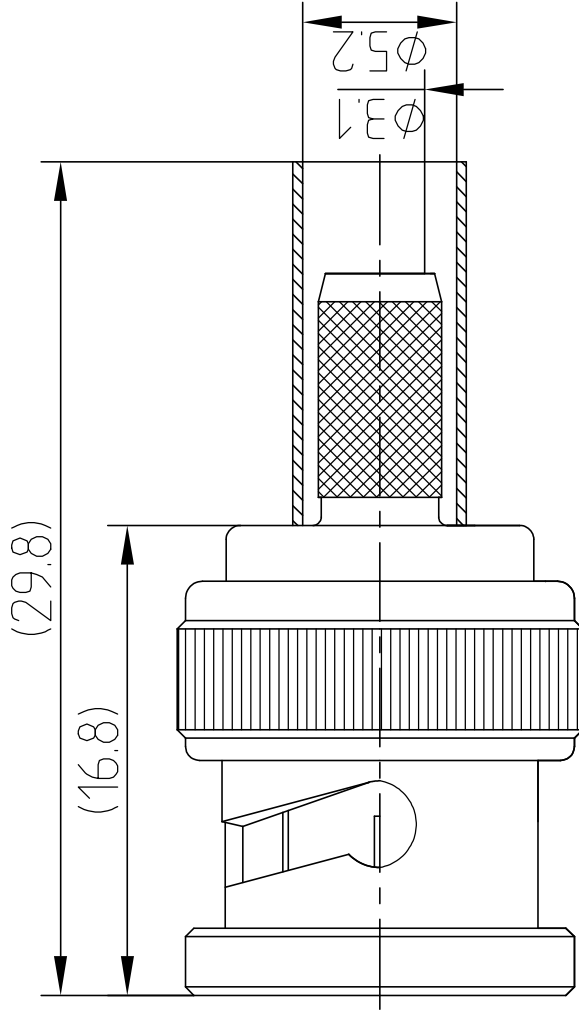


This document contains proprietary information and such information may not be disclosed to others for any purposes, not used for sales/marketing/procurement purposes without written permission



- 1 Electrical
- 1.1 Impedance: 50Ω
 - 1.2 Frequency: DC-4GHz
 - 1.3 Dielectric withstanding voltage: 1000V(volts RMS)
 - 1.4 Center contact resistance: $\leq 3M \Omega$
 - 1.5 Outer contact resistance: $\leq 2M \Omega$
 - 1.6 Insulation resistance: $\geq 5000M \Omega$
- 2 Environmental & Mechanical
- 2.1 Temperature range: $-45^{\circ}C \sim 85^{\circ}C$
 - 2.2 RoHS Compliant
 - 2.3 Durability: >500 cycles

- 3 Materials & plating
- 3.1 Body: Brass, Nickel plated
 - 3.2 Insulator: Teflon
 - 3.3 Contact Pin: Phosphor Bronze, Gold plated
 - 3.4 Coupling Nut: Brass, nickel plated
 - 3.5 Washer: bronze, nickel plated
 - 3.5 O-ring: Silicon rubber (red color)

Notes:

- 1. ALL SPECIFICATIONS ARE SUBJECT TO CHANGE NOTICE AT ANY TIME
- 2. CUSTOMER OUTLINE DRAWING FOR REFERENCE ONLY

REV	DESCRIPTION OF REVISION	BY	DATE	APPROVED
A	Initial Release	T. Shibus	18/09/13	18/09/13

DRAWN: T. Shibus 18/09/13
ENGINEER: C. Taw 18/09/13
APPROVED: H. Qing 18/09/13
TOLERANCES UNLESS OTHERWISE SPECIFIED X ± 0.50 .X ± 0.20 .XX ± 0.10 ANGLES $\neq 1^{\circ}$

TITLE:	
RF Coaxial Connector	www.terulai.com
ENC Male Conn. for RG58 Cable Crimp	
PART NO: ENC-JEY	SCALE: N/A
SIZE: A4	SHEET: 1/1
REV: A	



DIMENSION IN MILLIMETERS (mm)