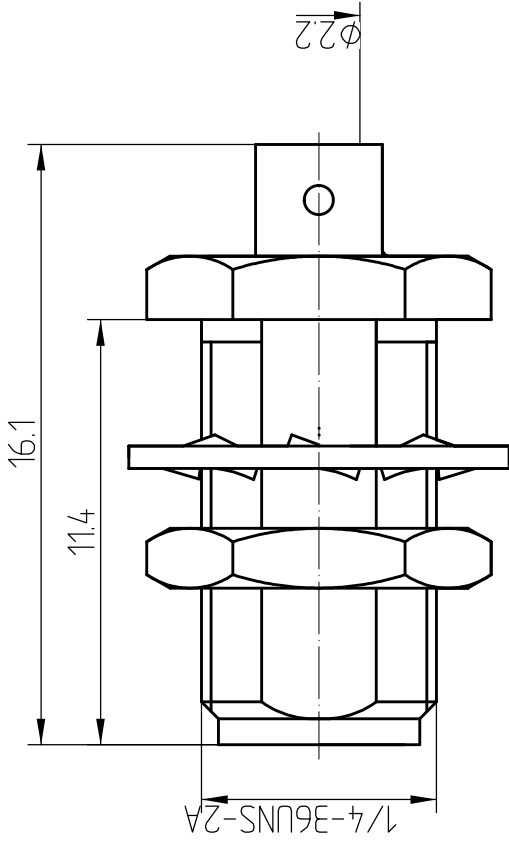
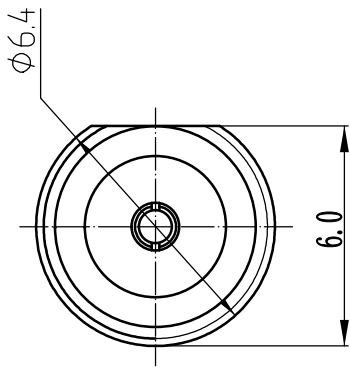


This document contains proprietary information and such information may not be disclosed to others for any purposes, not used for sales/marketing/procurement purposes without written permission



Recommended Mounting Hole



- 1 Electrical**
 - 1.1 Impedance 50Ω
 - 1.2 Frequency 0~6GHz
 - 1.3 VSWR 1.25:1
- 2 Environmental&Mechanical**
 - 2.1 Temperature range $-45^{\circ} \sim 125^{\circ}$
 - 2.2 RoHs Compliant
 - 2.3 Durability >500 cycles

- 3 Materials&Finish**
 - 3.1 Body: Stainless Steel, Passivated
 - 3.2 Insulator: Teflon
 - 3.3 Contact Pin: Beryllium Copper Gold plated
 - 3.4 Washer: Stainless Steel, Passivated
 - 3.5 Hex Nut: Brass, Nickel plated

Notes:

- 1. ALL SPECIFICATIONS ARE SUBJECT TO CHANGE NOTICE AT ANY TIME
- 2. CUSTOMER OUTLINE DRAWING FOR REFERENCE ONLY

REV	DESCRIPTION OF REVISION	ECN NO.	BY	DATE	APPROVED
A	Initial Release		T. Shihua	14/9/13	14/9/13

DRAWN: T. Shihua 14/9/13		TITLE: RF Coaxial Connector	
ENGINEER: C. Tao 14/9/13		www.fenulal.com	
APPROVED: W. Qiang 14/9/13		DIMENSION IN MILLIMETERS (mm)	
TOLERANCES UNLESS OTHERWISE SPECIFIED			
X	+0.50	SIZE: A4	SCALE: N/A
X	+0.20	SHEET: 1/1	REV: A
XX	+0.10	PART NO: SMA-KYB2G	
ANGLES	*°		

4

3

2

1

A

B

A

B

4

3

2

1