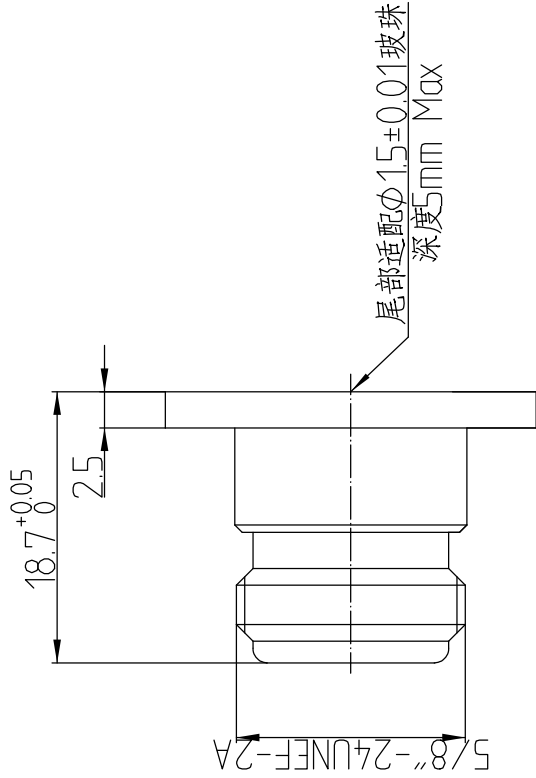


This document contains proprietary information and such information may not be disclosed to others for any purposes, not used for sales/marketing/procurement purposes without written permission



1. Electrical
  - 1.1 Impedance: 50 Ω
  - 1.2 Frequency: 0~3GHz
  - 1.3 Dielectric withstanding voltage: 1500V (volts RMS)
  - 1.4 Center contact resistance: ≤ 1MΩ
  - 1.5 Outer contact resistance: ≤ 0.2MΩ
  - 1.6 Insulation resistance: ≥ 5000MΩ
  - 1.7 VSWR: 1.25:1

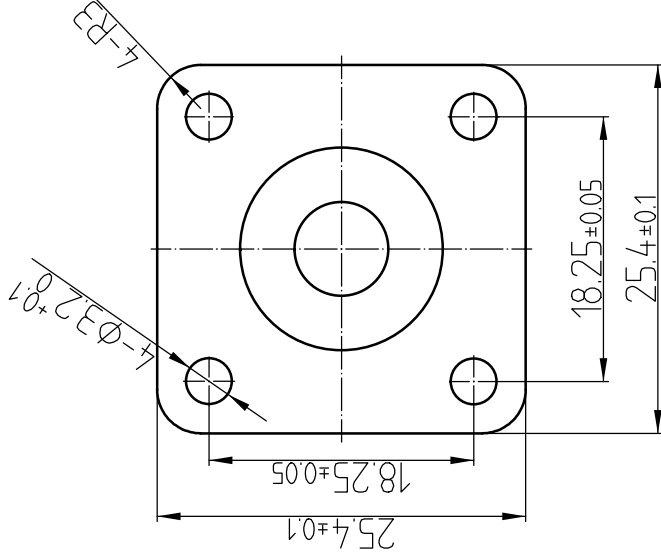
2. Environmental & Mechanical
  - 2.1 Temperature range: -45°C ~ 125°C
  - 2.2 RoHS Compliant
  - 2.3 Durability: >500 cycles

3. Materials & Plating
  - 3.1 Body: Brass, nickel plated
  - 3.2 Insulator: Teflon
  - 3.3 Contact Pin: Bronze, Gold plated

**Notes:**

1. ALL SPECIFICATIONS ARE SUBJECT TO CHANGE NOTICE AT ANY TIME
2. CUSTOMER OUTLINE DRAWING FOR REFERENCE ONLY

REV	DESCRIPTION OF REVISION	ECN NO.	BY	DATE	APPROVED
A	Initial Release		T. Shihua	18/7/13	18/7/13



DRAWN: T. Shihua 18/07/13

ENGINEER: C. Tao 18/07/13

APPROVED: W. Qiang 18/07/13

TOLEANCES UNLESS OTHERWISE SPECIFIED  
 X ±0.50  
 .X ±0.20  
 .XX ±0.10  
 ANGLES °

TITLE:

RF Coaxial Connector

N female Flange Conn. Terminal

PART NO: N-KFD124A



www.trl-rf.com



DIMENSION IN MILLIMETERS (mm)

SIZE: A4

SCALE: N/A

SHEET: 1/1

REV: A