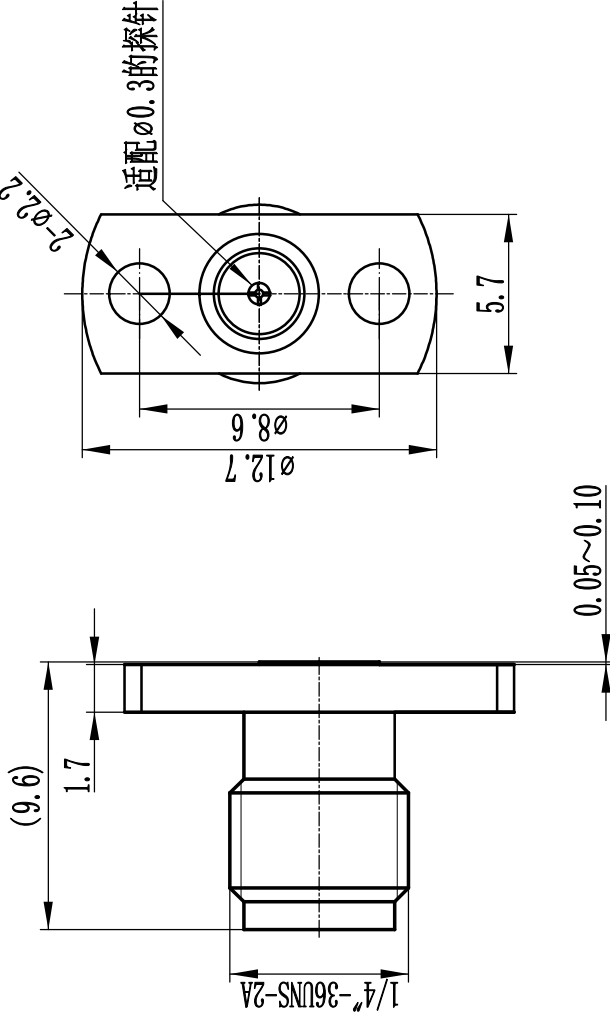


This document contains proprietary information and such information may not be disclosed to others for any purposes, not used for sales/marketing/procurement purposes without written permission

- 1 Electrical
  - 1.1 Impedance: 50Ω
  - 1.2 Frequency: DC-40GHz
  - 1.3 VSWR: 1.25:1
- 2 Mechanical&Environmental
  - 2.1 Temperature range -55°C ~+165°C
  - 2.2 Durability(matings) >500
  - 2.3 RoHs Compliant Yes
- 3 Material&Finish
  - 3.1 Pin contact: Beryllium-Copper, gold plated
  - 3.2 Body: Stainless Steel(SUS303), Passivated
  - 3.3 Insulators: PEI
- 4 Interface Standards
  - 4.1 2.92 MIL-STD-348A



**Notes:**

1. ALL SPECIFICATIONS ARE SUBJECT TO CHANGE NOTICE AT ANY TIME
2. CUSTOMER OUTLINE DRAWING FOR REFERENCE ONLY

REV	DESCRIPTION OF REVISION	ECN NO.	BY	DATE	APPROVED
A	Initial Release		T. Shihua	29/8/16	29/8/16

DRAWN: T. Shihua 29/8/16	<b>TITLE:</b>	
ENGINEER: C. Tao 29/8/16	RF Coaxial Connector	
APPROVED: W. Qiang 29/8/16	2.92mm female Flange Mount	
TOLERANCES UNLESS OTHERWISE SPECIFIED	DIMENSION IN MILLIMETERS (mm)	
X ±0.50	A4	
X ±0.20	SCALE: N/A	
XX ±0.10	SIZE: A4	
ANGLES °	SHEET: 1/1	
	REV: A	



www.rf-connector-china.com



DIMENSION IN MILLIMETERS (mm)

SCALE: N/A

SIZE: A4

PART NO: 2.92-KFD0.3AG

3

4

2

1

B