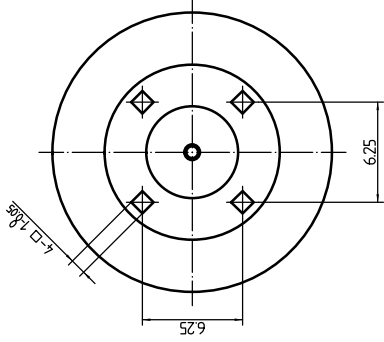
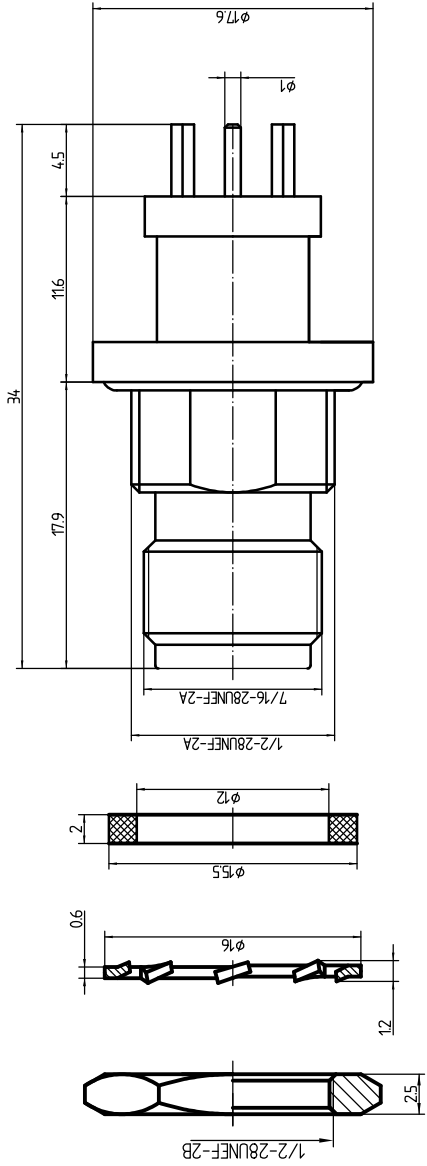


This document contains proprietary information and such information may not be disclosed to others for any purposes, not used for sales/marketing/procurement purposes without written permission

REV	DESCRIPTION OF REVISION	ECN NO.	BY	DATE	APPROVED
A	Initial Release		T. Haiyun	17/05/18	17/05/18

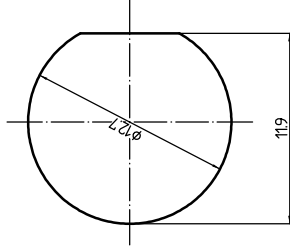


- 1 Electrical
- 1.1 Impedance 50 Ω
- 1.2 Frequency DC ~6GHz
- 1.3 Dielectric withstanding voltage 1500V(volts RMS)
- 1.4 Center contact resistance ≤ 15MΩ
- 1.5 Outer contact resistance ≤ 0.2MΩ
- 1.6 Insulation resistance: ≥5000MΩ
- 1.7 VSWR 1.25:1

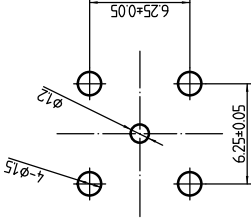
- 2 Environmental & Mechanical
- 2.1 Temperature range -45°C ~125°C
- 2.2 RoHS Compliant Yes
- 2.3 Durability >500 cycles

- 2 Material & Finish
- 2.1 Inner Contact: Bronze, Gold plated
- 2.2 Outer Contact: Brass, Tri-metal plated
- 2.3 Insulators: Teflon
- 2.4 Nut: Brass, Tri-metal plated
- 2.5 Washer: Bronze, Tri-metal plated
- 2.6 Gasket: Silicon Rubber (black color)

Recommended Panel Cutout



Recommended PCB Layout



Notes:

1. ALL SPECIFICATIONS ARE SUBJECT TO CHANGE NOTICE AT ANY TIME
2. CUSTOMER OUTLINE DRAWING FOR REFERENCE ONLY

DRAWN: T. Haiyun 17/05/18

ENGINEER: C. Tao 17/05/18

APPROVED: W. Qiang 17/05/18

TOLERANCES UNLESS OTHERWISE SPECIFIED

X +0.50

XX ±0.10

ANGLES ±1°

TITLE:

RF Coaxial Connector  
TNC Female B/H Conn. for  
PCB Mounting

PART NO: TNC-KYED-L

SIZE: A4

SCALE: N/A

SHEET: 1/1

REV: A



www.rf-connector-china.com



DIMENSION IN MILLIMETERS (mm)