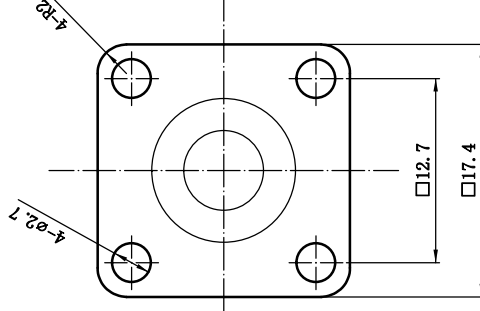
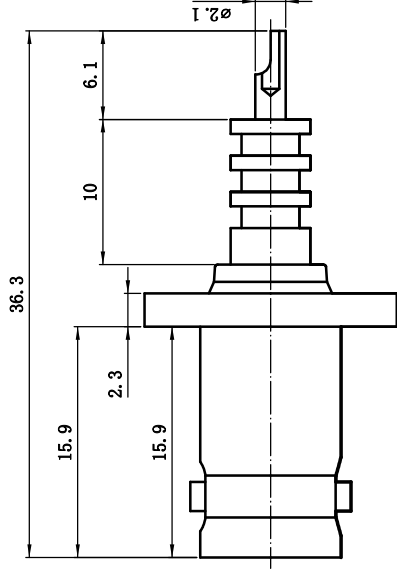


This document contains proprietary information and such information may not be disclosed to others for any purposes, not used for sales/marketing/procurement purposes without written permission

- 1 Electrical
- 1.1 Impedence 50  $\Omega$
  - 1.2 Frequency DC-300MHz
  - 1.3 Dielectric withstanding voltage 5KV rms,
  - 1.4 Working voltage( at sea level) 1.6KV rms,
  - 1.5 Insulation resistance  $\geq 5000 \cdot 10^3 M\Omega$
  - 1.3 Center contact resistance  $\leq 2M\Omega$
  - 1.4 Outer contact resistance  $\leq 1M\Omega$
  - 1.5 Corona extinction voltage  $\geq 300V$  rms  
(at 21000 m)
  - 1.9 Current rating continuous  $\leq 10A$

- 2 Environmental&Mechanical
- 2.1 Temperature range  $-55^{\circ}C \sim 155^{\circ}C$
  - 2.2 RoHs Compliant
  - 2.3 Durability  $> 500$  cycles

- 3 Materials&Finish
- 3.1 Body: Brass, Nickel plated
  - 3.2 Insulator: Teflon
  - 3.3 Contact Pin: Phosphor bronze, gold plated
  - 3.4 Washer: Beryllium, nickel plated
  - 3.5 Nut: copper, nickel plated



REV	DESCRIPTION OF REVISION	ECN NO.	BY	DATE	APPROVED
A	Initial Release		T. Shihua	12/7/13	12/7/13

DRAWN: T. Shihua 12/07/13
ENGINEER: C. Tao 12/07/13
APPROVED: W. Qiang 12/07/13
TOLERANCES UNLESS OTHERWISE SPECIFIED
X +0.05
XX +0.20
ANGLES *°

TITLE: RF Connector		镇江永宁科技有限公司	
MHV female Flange Conn. For Terminal		DIMENSION IN MILLIMETERS (mm)	
PART NO: MHV-RFD	SCALE: 1:1	SHEET: 1/1	REV: A

Notes:

- ALL SPECIFICATIONS ARE SUBJECT TO CHANGE NOTICE AT ANY TIME
- CUSTOMER OUTLINE DRAWING FOR REFERENCE ONLY