

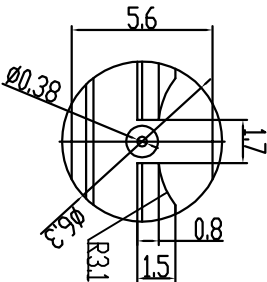
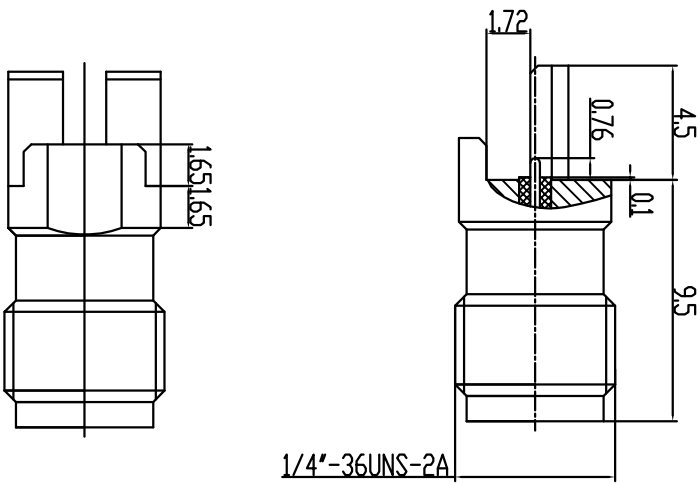
This document contains proprietary information and such information may not be disclosed to others for any purpose not used for sales/marketing/procurement purposes without written permission

REV	DESCRIPTION OF REVISION	ECN NO.	BY	DATE	APPROVED
POSE5,	Initial Release		T.Holyun	12/7/08	12/7/08

- 1 Electrical
 - 1.1 Impedence 50Ω
 - 1.2 Frequency DC~18GHz
 - 1.2 Dielectric withstanding voltage 1000V/(volts RMS)
 - 1.3 Center contact resistance $\leq 3M\Omega$
 - 1.4 Outer contact resistance $\leq 2M\Omega$
 - 1.5 Insulation resistance: $\geq 5000M\Omega$

- 2 Environmental&Mechanical
 - 2.1 Temperature range -55t~155t
 - 2.2 RoHs Compliant
 - 2.3 Durability >500 cycles

- 3 Materials&plating
 - 3.1 Body: Brass, Gold plated
 - 3.2 Insulator: Teflon
 - 3.3 Contact Pin: Beryllium Copper Gold plated




Notes:

1. ALL SPECIFICATIONS ARE SUBJECT TO CHANGE NOTICE AT ANY TIME
2. CUSTOMER OUTLINE DRAWING FOR REFERENCE ONLY

DRAWN: T.Holyun 12/07/08	ENGINEER: C.Tao 12/07/08
APPROVED: V.Along 12/07/08	
TOLERANCES UNLESS OTHERWISE SPECIFIED	
X	± 0.50
.X	± 0.20
.XX	± 0.10
ANGLES	$\pm 1^\circ$

TITLE: SMA-KHDCT	SMA Female Conn. For PCB
PART NO: TRL-SMAF-522809	



 www.terillal.com

DIMENSION IN MILLIMETERS (mm)

SIZE: A4 SCALE: N/A SHEET: 1/1 REV: A