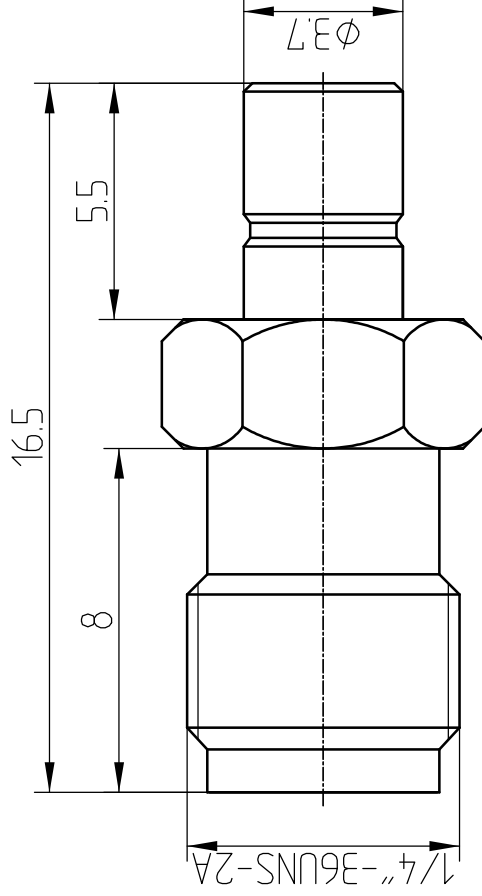


This document contains proprietary information and such information may not be disclosed to others for any purposes, not used for sales/marketing/procurement purposes without written permission

- 1 电气性能
 - 1.1 特性阻抗 50 Ω
 - 1.2 频率 DC~4GHz
 - 1.3 介质耐压 750V
 - 1.4 中心导体电阻 $\leq 6M\Omega$
 - 1.5 外导体电阻 $\leq 1M\Omega$
 - 1.6 绝缘电阻 $\geq 1000M\Omega$
 - 1.7 VSWR $\leq 1.30: 1$

2 材料及涂覆

- 2.1 外壳: 黄铜; 镀金
- 2.2 绝缘子: Teflon
- 2.3 内导体: 铍青铜; 镀金



| REV | DESCRIPTION OF REVISION | ECN NO. | BY | DATE | APPROVED |
|-----|-------------------------|---------|-----------|----------|----------|
| A | Initial Release | | T. Haiyun | 24/07/15 | 24/07/15 |

| | | | | | |
|---------------------------------------|-------|------------------------|--|-------------------------------|--|
| DRAWN: T. Haiyun 24/07/15 | | TITLE: RF Adaptor | | www.terulilai.com | |
| ENGINEER: C. Tao 24/07/15 | | SMA Female to SMB Male | | DIMENSION IN MILLIMETERS (mm) | |
| APPROVED: W. Qiang 24/07/15 | | PART NO: SMA/SMB-KJ | | SCALE: N/A | |
| TOLERANCES UNLESS OTHERWISE SPECIFIED | | SIZE: A4 | | SHEET: 1/1 | |
| X | +0.50 | ANGLES | | REV: A | |
| .X | +0.20 | | | | |
| .XX | +0.10 | | | | |
| | *F | | | | |

Notes:

1. ALL SPECIFICATIONS ARE SUBJECT TO CHANGE NOTICE AT ANY TIME
2. CUSTOMER OUTLINE DRAWING FOR REFERENCE ONLY