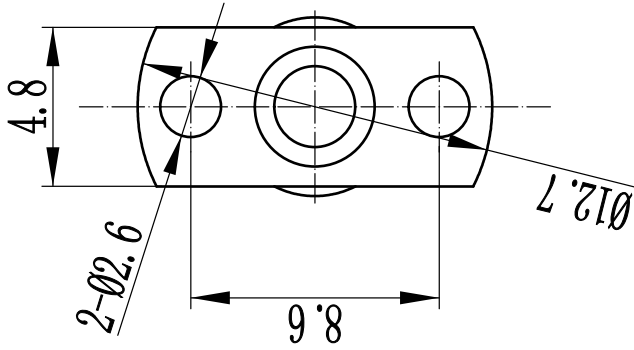
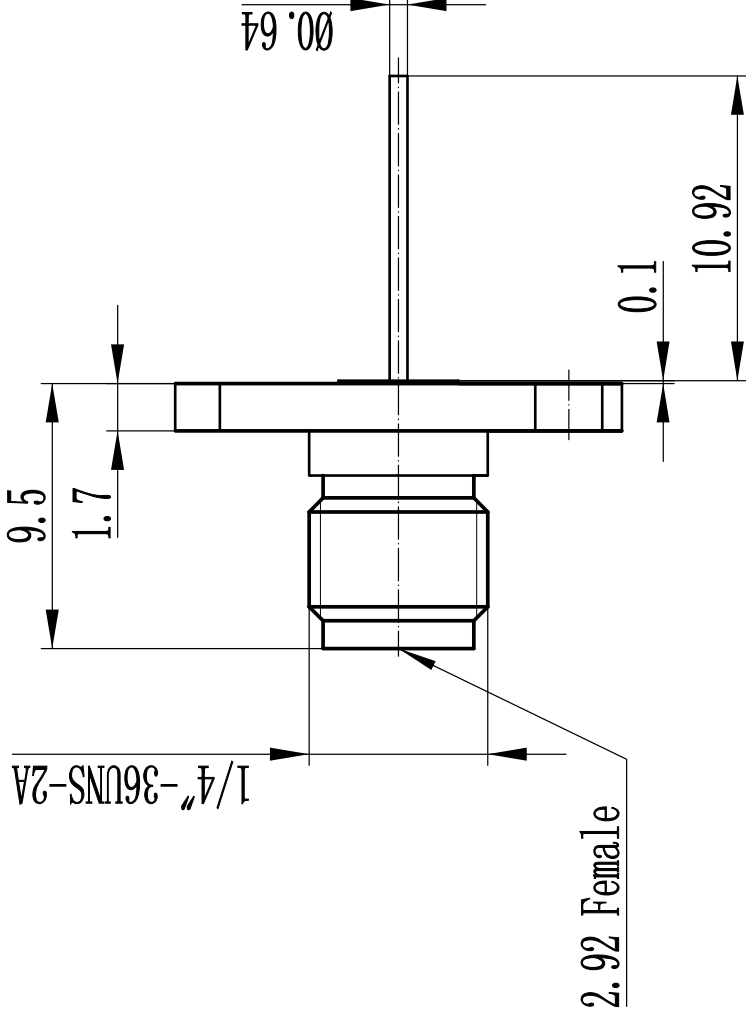


This document contains proprietary information and such information may not be disclosed to others for any purposes, not used for sales/marketing/procurement purposes without written permission



技术要求:

- 1 电气性能
  - 1.1 特性阻抗: 50 欧姆
  - 1.2 频率: DC-40GHz
  - 1.3 驻波比: 1.20:1



- 2 材料及涂覆
  - 2.1 外壳: 不锈钢; 钝化
  - 2.2 绝缘介质: PEI
  - 2.3 内导体: 铍青铜, 镀金

REV	DESCRIPTION OF REVISION	ECN NO.	BY	DATE	APPROVED
A	Initial Release		T. Shihua	15/11/17	15/11/17

Notes:  
 1. ALL SPECIFICATIONS ARE SUBJECT TO CHANGE NOTICE AT ANY TIME  
 2. CUSTOMER OUTLINE DRAWING FOR REFERENCE ONLY

DRAWN : T. Shihua 15/11/17	TITLE:	RF Coaxial Connector	www.crl.com
ENGINEER: C. Tao 15/11/17		2.92mm female Flange Mount	
APPROVED : W. Qiang 15/11/17			
TOLERANCES UNLESS OTHERWISE SPECIFIED			DIMENSION IN MILLIMETERS (mm)
X ±0.50			
.X ±0.20			
.XX ±0.10			
ANGLES °P			
PART NO: 2.92-KFD0.64G	SIZE: A4	SCALE: N/A	SHEET: 1/1 REV: A