

This document contains proprietary information and such information may not be disclosed to others for any purposes, not used for sales/marketing/procurement purposes without written permission

1 Electrical

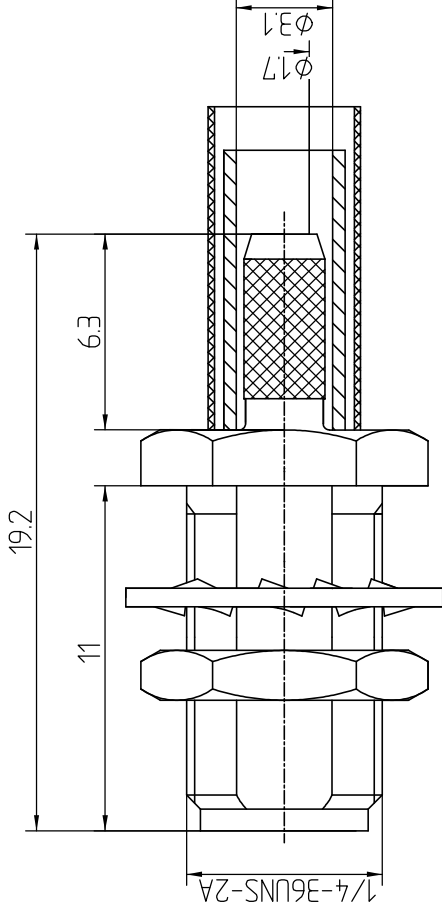
- 1.1 Impedance **50 Ω**
- 1.2 Frequency **0~6GHz**
- 1.3 Dielectric withstanding voltage **1000V (volts RMS)**
- 1.4 Center contact resistance **≤ 3MΩ**
- 1.5 Outer contact resistance **≤ 2MΩ**
- 1.6 Insulation resistance: **≥ 5000MΩ**

2 Environmental & Mechanical

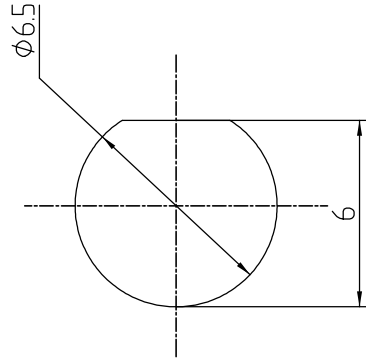
- 2.1 Temperature range **-45 °C ~ 85 °C**
- 2.2 RoHs Compliant
- 2.3 Durability **> 500 cycles**

3 Materials & Finish

- 3.1 Body: **Brass, Gold Plated**
- 3.2 Insulator: **Teflon**
- 3.3 Contact Pin: **Bronze, Gold plated**
- 3.4 Washer: **Brass, Gold plated**
- 3.5 Hex Nut: **Brass, Gold plated**



Mounting Hole



Notes:

- 1. ALL SPECIFICATIONS ARE SUBJECT TO CHANGE NOTICE AT ANY TIME
- 2. CUSTOMER OUTLINE DRAWING FOR REFERENCE ONLY

REV	DESCRIPTION OF REVISION	ECN NO.	BY	DATE	APPROVED
A	Initial Release		T. Shihua	14/9/13	14/9/13

DRAWN: T. Shihua 14/9/13	TITLE: RF Coaxial Connector	
ENGINEER: C. Tao 14/9/13	www.tfh-f.com	
APPROVED: W. Qiang 14/9/13	DIMENSION IN MILLIMETERS (mm)	
TOLERANCES UNLESS OTHERWISE SPECIFIED	SIZE: A4	
X +0.50	SCALE: N/A	SHEET: 1/1
X +0.20	REV: A	
XX +0.10	PART NO: SMA-KY3A	
ANGLES *°	SHEET: 1/1	