

This document contains proprietary information and such information may not be disclosed to others for any purposes, not used for sales/marketing/procurement purposes without written permission

- 1 Electrical
 - 1.1 Impedence 50Ω
 - 1.2 Dielectric withstanding voltage $1000V(\text{volts RMS})$
 - 1.3 Center contact resistance $\leq 3M \Omega$
 - 1.4 Outer contact resistance $\leq 2M \Omega$
 - 1.5 Insulation resistance: $\geq 5000M \Omega$

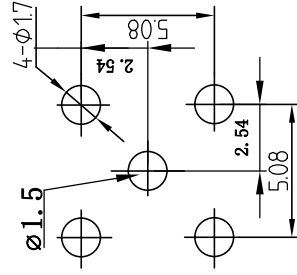
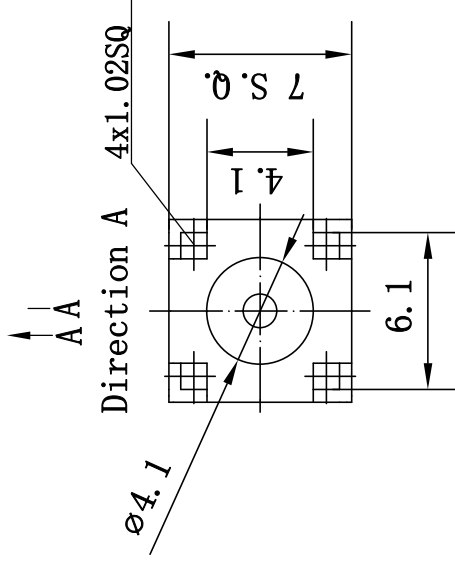
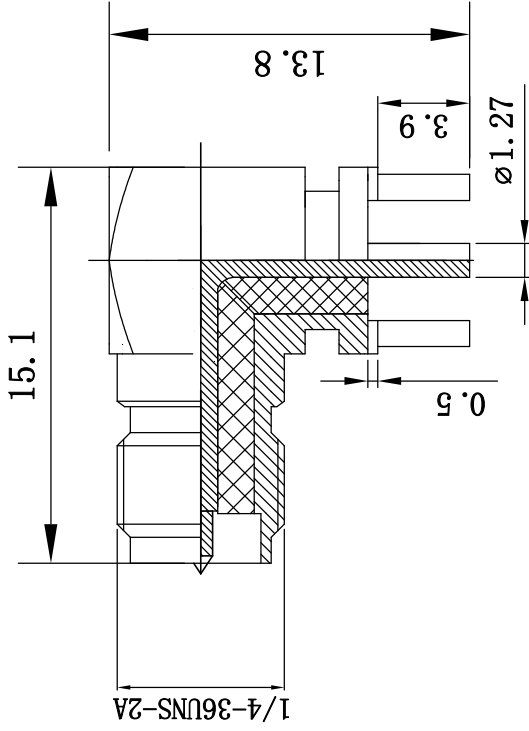
2 Environmental&Mechanical

- 2.1 Temperature range $-55^{\circ}C \sim 155^{\circ}C$
- 2.2 RoHS Compliant
- 2.3 Durability >500 cycles

Recommended PCB Layout

3 Materials&plating

- 3.1 Body: Brass, Gold plated
- 3.2 Insulator: Teflon
- 3.3 Contact Pin: Beryllium Copper Gold plated



Notes:

1. ALL SPECIFICATIONS ARE SUBJECT TO CHANGE NOTICE AT ANY TIME
2. CUSTOMER OUTLINE DRAWING FOR REFERENCE ONLY

REV	DESCRIPTION OF REVISION	ECN NO.	BY	DATE	APPROVED
A	Initial Release		T. Haiyun	12/7/08	12/7/08

DRAWN: T. Haiyun 12/07/08		TITLE: RPSMA-KWHD1		www.rf-conector-china.com	
ENGINEER: C. Tao 12/07/08		Reverse Polarity SMA Female Right Angle Conn. For PCB			
APPROVED: W. Qiang 12/07/08		DIMENSION IN MILLIMETERS (mm)			
TOLERANCES UNLESS OTHERWISE SPECIFIED		SCALE: N/A			
X	+0.50	SIZE: A4		SHEET: 1/1	REV: A
XX	+0.20	PART NO: TRL-SMAF-5229			
XXX	+0.10				
ANGLES	*°				