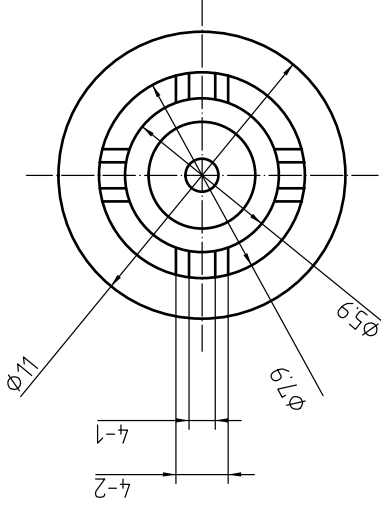
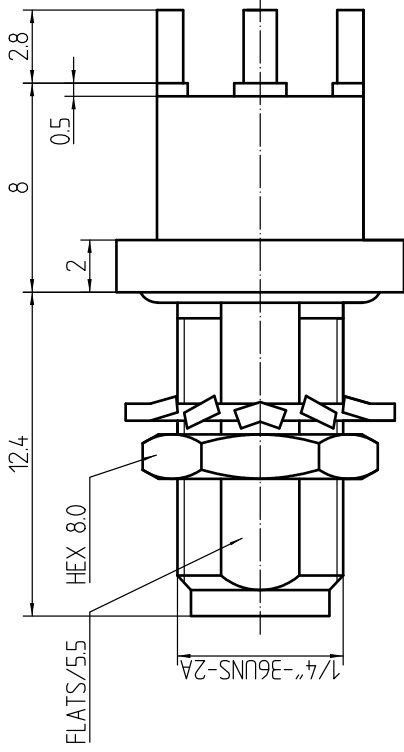


This document contains proprietary information and such information may not be disclosed to others for any purposes, not used for sales/marketing/procurement purposes without written permission



- 1 Electrical
 - 1.1 Impedence 50 Ω
 - 1.2 Frequency DC ~6GHz
 - 1.3 VSWR 1.25:1
- 2 Environmental&Mechanical
 - 2.1 Temperature range -45℃ ~85℃
 - 2.2 RoHS Compliant
 - 2.3 Durability >500 cycles
- 3 Materials&plating
 - 3.1 Body: Brass; Gold, plated
 - 3.2 Insulator: Teflon
 - 3.3 Contact Pin: Bronze; Gold,plated

Notes:

- 1. ALL SPECIFICATIONS ARE SUBJECT TO CHANGE NOTICE AT ANY TIME
- 2. CUSTOMER OUTLINE DRAWING FOR REFERENCE ONLY

REV	DESCRIPTION OF REVISION	ECN NO.	BY	DATE	APPROVED
A	Initial Release		T. Haiyum	24/7/13	24/7/13

DRAWN : T. Haiyum 24/07/13

ENGINEER: C. Tao 24/07/13

APPROVED : W. Qi tang 24/07/13

TOLERANCES UNLESS OTHERWISE SPECIFIED
 X ±0.50
 .X ±0.20
 .XX ±0.10
 ANGLES °

TITLE:

RF Coaxial Connector

SMA Female B/H Conn. End Launch



www.tentul.com



DIMENSION IN MILLIMETERS (mm)

PART NO: SMA-KYHDT
 SIZE: A4
 SCALE: N/A
 SHEET: 1/1
 REV: A