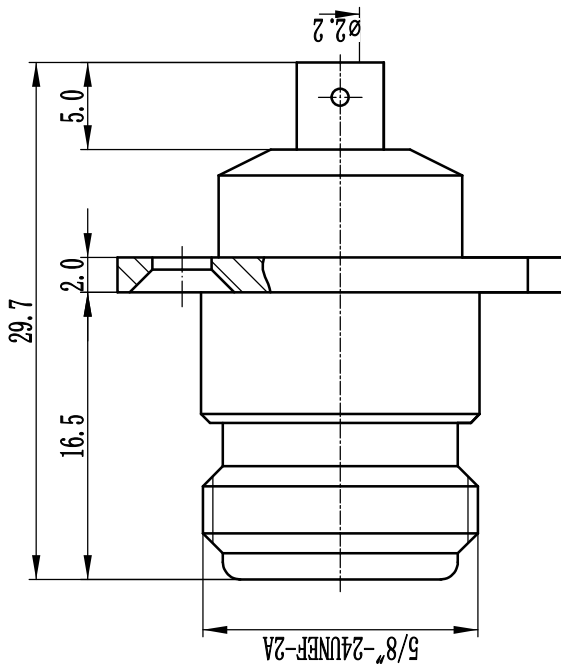
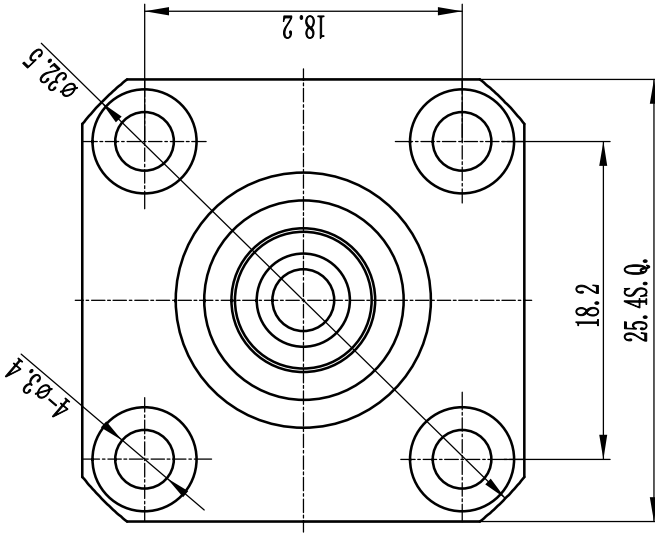
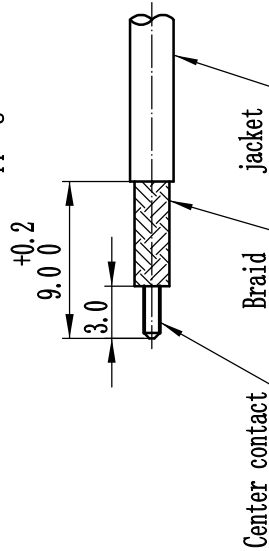


This document contains proprietary information and such information may not be disclosed to others for any purposes, not used for sales/marketing/procurement purposes without written permission

REV	DESCRIPTION OF REVISION	ECN NO.	BY	DATE	APPROVED
A	Initial Release		T. Shihua	8/05/14	8/05/14
B	New Release		T. Shihua	13/05/14	13/05/14



Recommended Stripping Cable



1. Electrical
  - 1.1 Impedance 50 Ω
  - 1.2 Frequency DC-6GHz
  - 1.3 Dielectric withstanding voltage 1500V (volts RMS)
  - 1.4 Center contact resistance  $\leq 1\text{m}\Omega$
  - 1.5 Outer contact resistance  $\leq 0.2\text{m}\Omega$
  - 1.6 Insulation resistance:  $\geq 5000\text{M}\Omega$
  - 1.7 VSWR 1.30:1

2. Environmental & Mechanical
  - 2.1 Temperature range  $-45^{\circ}\text{C} \sim 85^{\circ}\text{C}$
  - 2.2 RoHS Compliant
  - 2.3 Durability  $> 500$  cycles

3. Materials & Finish
  - 3.1 Body: Brass, Nickel plated
  - 3.2 Insulator: Teflon
  - 3.3 Contact Pin: Bronze, silver plated

Notes:

1. ALL SPECIFICATIONS ARE SUBJECT TO CHANGE NOTICE AT ANY TIME
2. CUSTOMER OUTLINE DRAWING FOR REFERENCE ONLY

DRAWN: T. Shihua 8/05/14

ENGINEER: C. Tao 8/05/14

APPROVED: W. Qiang 8/05/14

TOLERANCES UNLESS OTHERWISE SPECIFIED

X  $\pm 0.50$

.X  $\pm 0.20$

.XX  $\pm 0.10$

ANGLES  $\pm 1^{\circ}$

TITLE: RF Coaxial Connector

N Female Flange Connector  
For 086/RC405 Cable

PART NO: N-KPE2T

3



www.rf-connector-china.com



DIMENSION IN MILLIMETERS (mm)

SIZE: A4

SCALE: N/A

SHEET: 1/1

REV: B

2

1

4

3

2

1

4