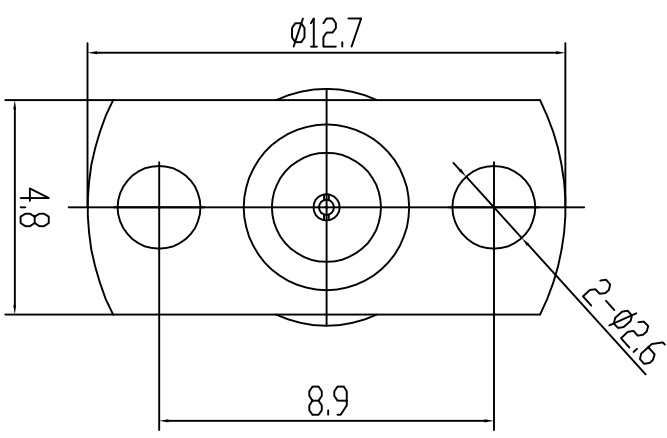
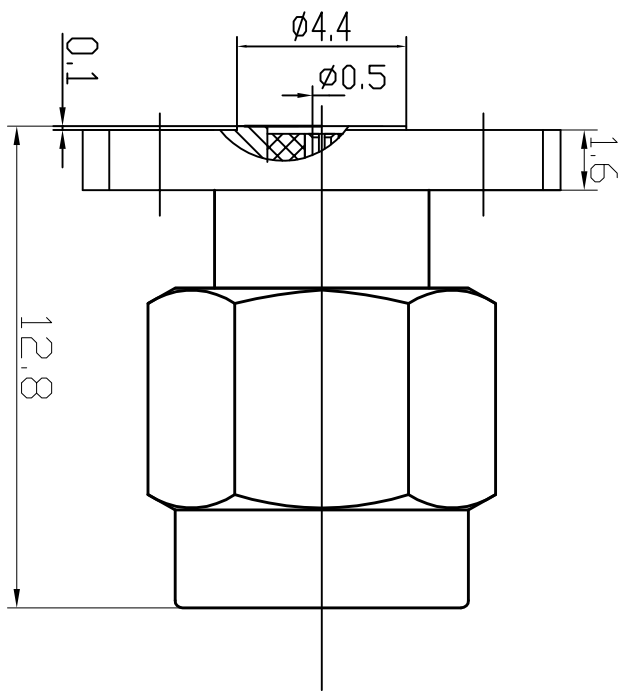


This document contains proprietary information and such information may not be disclosed to others for any purpose not used for sales/marketing/procurement purposes without written permission

REV	DESCRIPTION OF REVISION	ECN NO.	BY	DATE	APPROVED
0055	Initial Release		T.Holyun	04/02/17	04/02/17




- 1 电气性能
- 1.1 特性阻抗 50 Ω
- 1.2 频率 DC~18GHz
- 1.3 介质耐压 1000V
- 1.4 中心导体电阻 ≤ 3M Ω
- 1.5 外导体电阻 ≤ 2M Ω
- 1.6 绝缘电阻 ≥5000M Ω
- 1.7 VSWR ≤1.15@10G

- 2 材料及涂覆
- 2.1 外壳: 不锈钢; 钝化
- 2.2 绝缘子: teflon
- 2.3 内导体: 镀青铜; 镀金

Notes:

- 1.ALL SPECIFICATIONS ARE SUBJECT TO CHANGE NOTICE AT ANY TIME
- 2.CUSTOMER OUTLINE DRAWING FOR REFERENCE ONLY

DRAWN: T.Holyun 04/02/17	TITLE: RF Coaxial Connector	 www.drl-rf.com
ENGINEER: C.Tao 04/02/17	SMA Male Flange Connector Mount	
APPROVED: V.QiHong 04/02/17	PART NO: SMA-JF-D42G	SIZE: A4
TOLERANCES UNLESS OTHERWISE SPECIFIED		SCALE: N/A
X ±0.20		SHEET: 1/1
XX ±0.00		REV: A
ANGLES ±1°		

DIMENSION IN MILLIMETERS (mm)