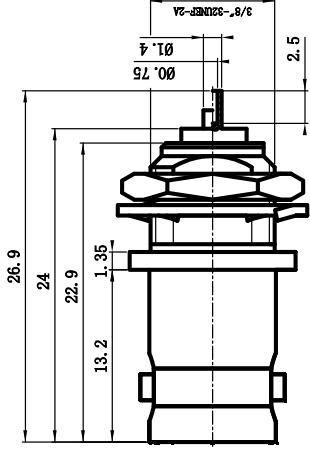


This document contains proprietary information and such information may not be disclosed to others for any purposes, not used for sales/marketing/procurement purposes without written permission

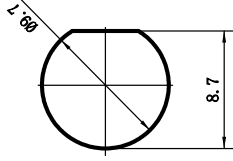
- 1 Electrical
  - 1.1 Impedence 50  $\Omega$
  - 1.2 Frequency DC-4GHz
  - 1.3 Dielectric withstanding voltage 1000V(volts RMS)
  - 1.4 Center contact resistance  $\leq 3M \Omega$
  - 1.5 Outer contact resistance  $\leq 2M \Omega$
  - 1.6 Insulation resistance:  $\geq 5000M \Omega$

- 2 Environmental&Mechanical
  - 2.1 Temperature range -65 $^{\circ}$ c~125 $^{\circ}$ c
  - 2.2 RoHs Compliant
  - 2.3 Durability >500 cycles

- 3 Materials&plating
  - 3.1 Body: Brass, Suco-plated
  - 3.2 Insulator: Teflon
  - 3.3 Contact Pin: Phosphor Bronze, Gold plated



Recommended Mounting Hole



REV	DESCRIPTION OF REVISION	ECN NO.	BY	DATE	APPROVED
A	Initial Release		T. Shihua	02/08/13	02/08/13

DATE	T. Shihua 02/08/13				
ENGINEER	C. Tao 02/08/13				
APPROVED	W. Qiang 02/08/13				
TOLERANCES UNLESS OTHERWISE SPECIFIED					
	X	±0.50			
	.X	±0.20			
	.XX	±0.10			
	ANGLES	± $^{\circ}$			

TITLE:	BNC-KYD2A				
RF Connector	Coaxial	Connector			
BNC Female Terminal	Bullhead	Conn.	For		
SIZE:	A4	SCALE:	N/A	SHEET:	1/1
REV:					A

- Notes:
1. ALL SPECIFICATIONS ARE SUBJECT TO CHANGE NOTICE AT ANY TIME
  2. CUSTOMER OUTLINE DRAWING FOR REFERENCE ONLY