

Rohs Compliant

Electrical

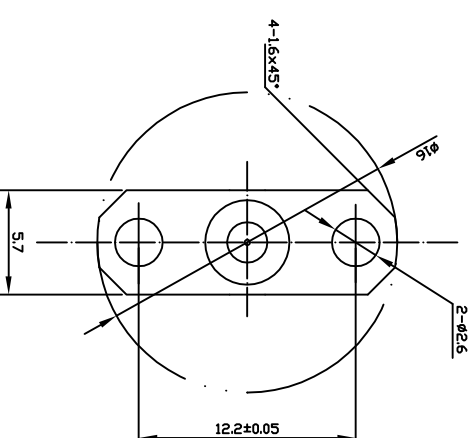
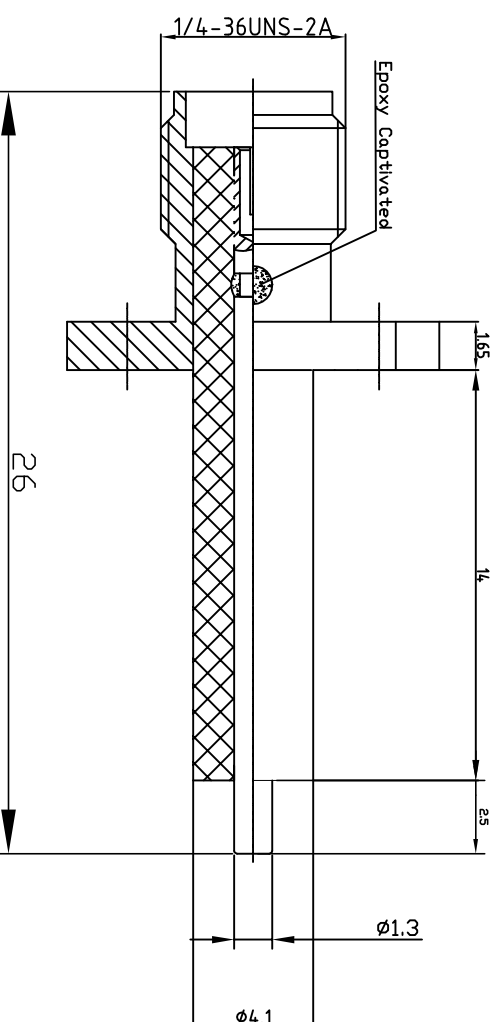
1. Impedance: 50Ω
2. Frequency range: 0-18GHz
3. VSWR: 1.3 max
4. Working voltage: $\leq 250V$
5. Dielectric withstanding voltage: $\geq 750V$
6. Insulation resistance: $\geq 1000M\Omega$
7. Center Contact resistance: $\leq 3.0m\Omega$
8. Outer contact resistance: $\leq 2.0m\Omega$
9. Insertion loss: 0.1dB

Material&Finish

1. Inner Conductor: Beryllium-copper, gold plated
2. Outer conductor: Brass, Gold Plated
3. Insulators: PTFE

Environmental

1. RoHs Compliant
2. 96Hrs Salt Spray



ITEM NO.	DESCRIPTION	SCALE	TRL TYPE	QTY	REMARKS
1		4:1			
DESIGNED	Tomson Tang	4:1			
CHECKED	Jason Ding	A			SMA-KFD710
APPROVED	Teresa Ren	1/1			
			PARTS NO.		TRL12.011.229
			DATE		2012.11.22

Xi'an T-rely Electronics Co.,Ltd.